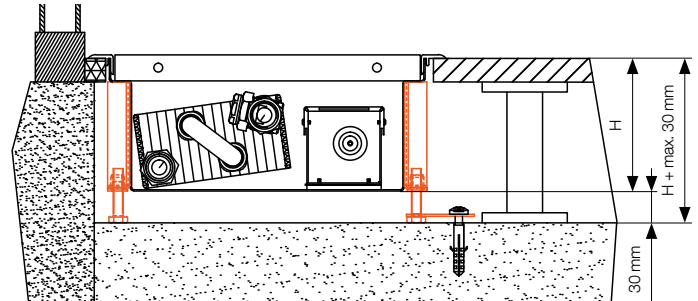


RAISED FLOOR INSTALLATIONS

Structural supports for raised floor trench heater installations offer stable and effective solutions. Structural supports are manufactured from non-lacquered steel and are suitable for raised floors of a depth up to 500mm. Structural supports are suitable for **Optimal-V, Variant F2V and F4V**. For structural reasons, the KORAFLEX Pool-V model is not recommended for installation into raised floors.

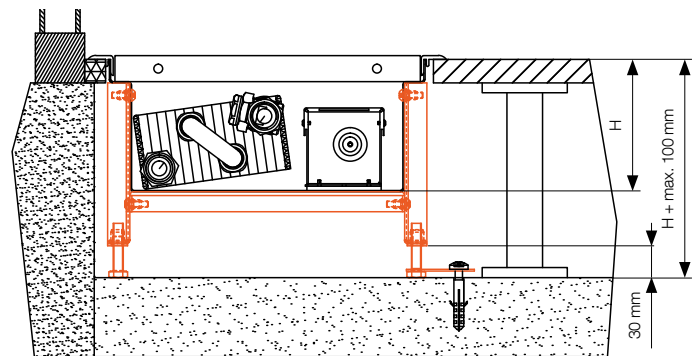
SZP-03 low raised floor support

Trench heaters are fitted with reinforcing bars and set screws, which enable the trench heater to be installed at the required height. Set screws must be anchored to the floor to prevent movement. Reinforcing bars are not included as standard and cannot be fitted subsequently. The screws allow setting a maximum height which is max. 30 mm higher than the trench heater itself. Recommended for raised floors with a **maximum depth 30 mm** greater than the unit height of the trench heater.



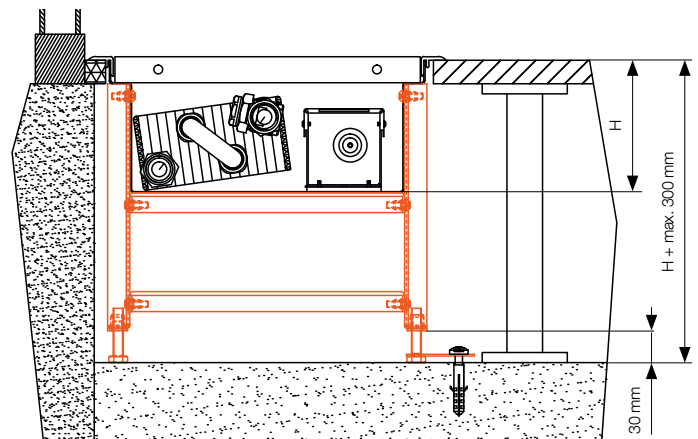
SZP-10 higher raised floor support

Customized solutions for all projects dealing with raised flooring. This is a more robust model of the low raised floor support, equipped with one support at the base of the trench heater. The precise technical design depends on customer's requirements. Recommended for raised floors with a **maximum depth 100 mm** greater than the unit height of the trench heater.



SZP-30 high raised floor support

Customized solutions for projects dealing with high raised flooring. This is a more robust model of the higher raised floor support, equipped with two supports at the base of the trench heater. The precise technical design depends on customer's requirements. Recommended for raised floors with a **maximum depth 300 mm** greater than the unit height of the trench heater.



ORDER CODE

| Support | Raised | Floor | Support version | Depth FV (cm) | Width FV (cm) |
|---------|--------|-------|-----------------|---------------|---------------|
| S | Z | P | .. | ./ | ./ |

Example order code:
SZP-10/13/26

| Heater length | Recommended number of supports |
|---------------|--------------------------------|
| 800–1000 | 3 |
| 1100–1500 | 4 |
| 1600–2000 | 5 |
| 2100–2500 | 6 |
| 2600–3000 | 7 |



Supports must be ordered together with trench heaters due to structural alterations to convector casings! Components of several types of raised floor support are integral parts of the trench heater body.

For placing of supports, see p. 48.

For trench heaters that are not built in, or where there is a cavity beneath the convector, we recommend using sound insulation sheets (see p. 111).

