

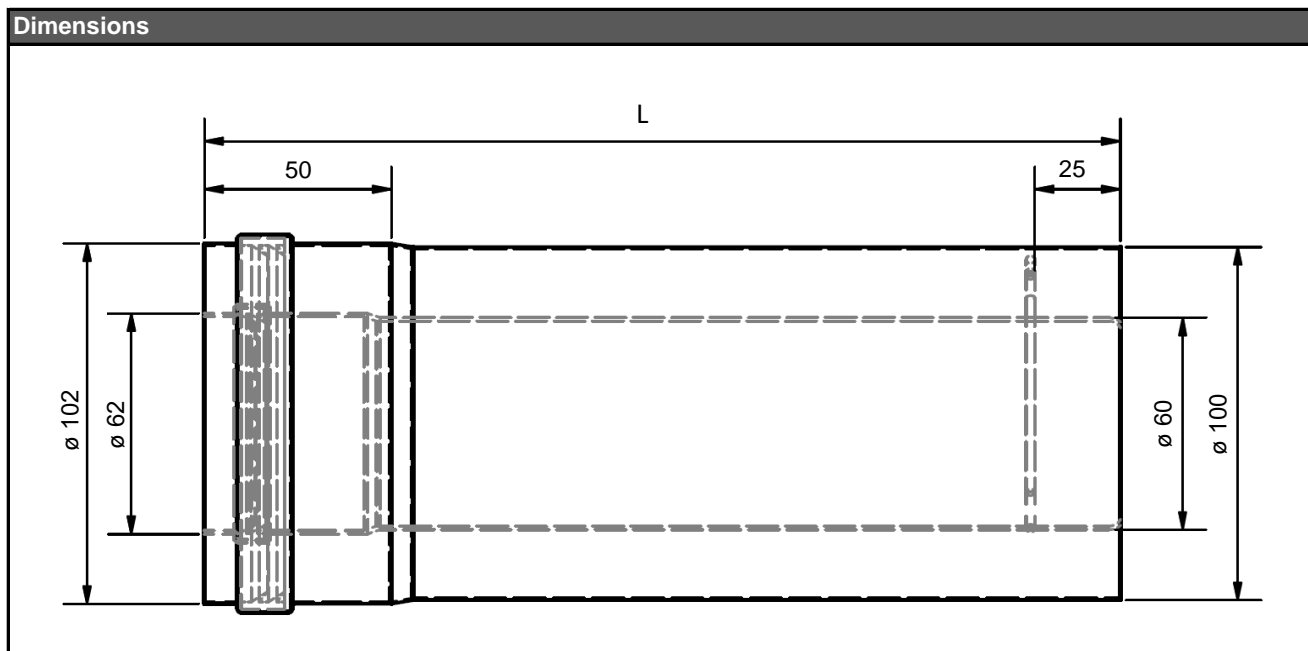
Concentric Flue Pipes, Polypropylene, diam. 60/100

Main features	
Application	discharge of flue gas from condensing gas boilers
Description	concentric flue pipe system where flue gas passes through the inner polypropylene pipe and combustion air is sucked through the outer lacquered metal pipe
Transported medium	flue gas up to 120 °C, air
Certification	EN 14471:2013

Technical Data	
Inner pipe material	polypropylene
Inner pipe diameter	60 mm
Outer pipe material	steel, white lacquer
Outer pipe diameter	100 mm
Gasket material	EPDM

Extension	
3D model (250 mm long)	Photo (2000 mm long)

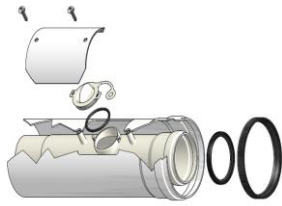
Codes	Marking	Length (dimension L)
9595	A2008205	250 mm
9596	A2008206	500 mm
9597	A2008207	1000 mm
8514	A2008147	2000 mm



Concentric Flue Pipes, Polypropylene, diam. 60/100

Adapter with Inspection Door

3D model



Photo



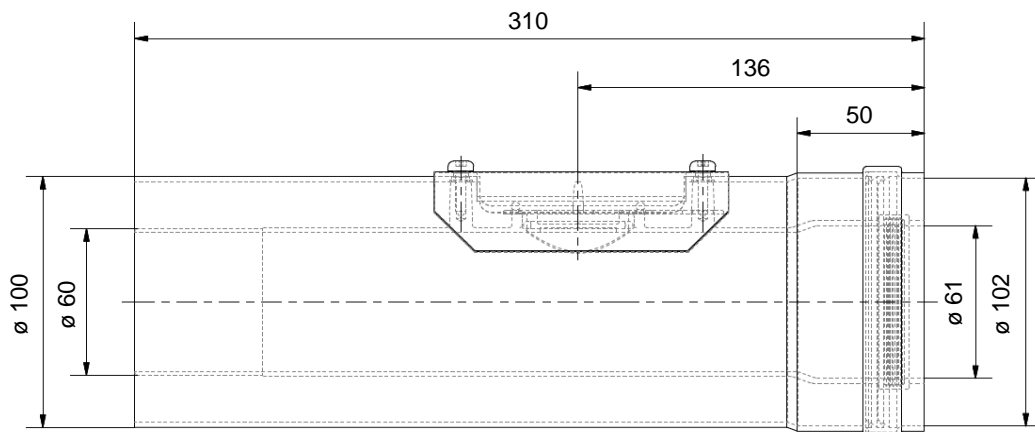
Code

13835

Marking

A2002162

Dimensions



90° Elbow with Inspection Door

3D model



Photo



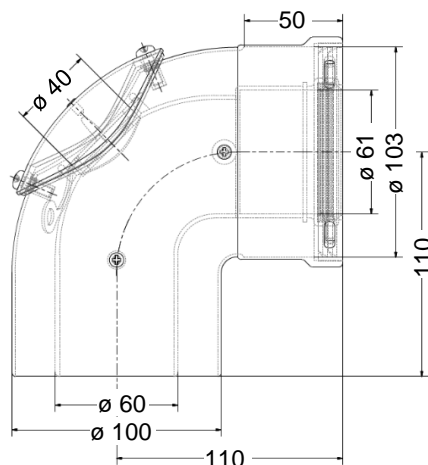
Code

12756

Marking

A2008182

Dimensions



Concentric Flue Pipes, Polypropylene, diam. 60/100

90° Elbow

3D model



Photo



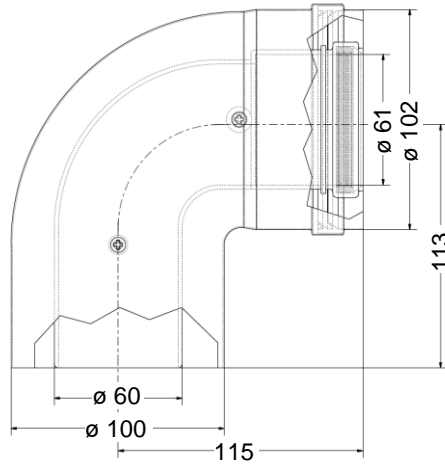
Code

Marking

6653

A2008163

Dimensions



45° Elbow

3D model



Photo



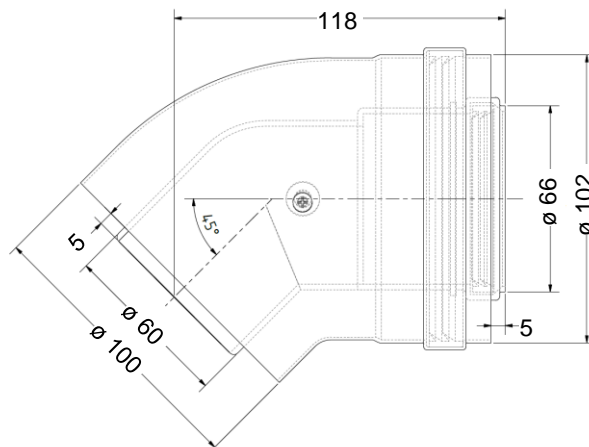
Code

Marking

6140

A2002160

Dimensions



Concentric Flue Pipes, Polypropylene, diam. 60/100

90° Elbow with Flange

3D model



Photo



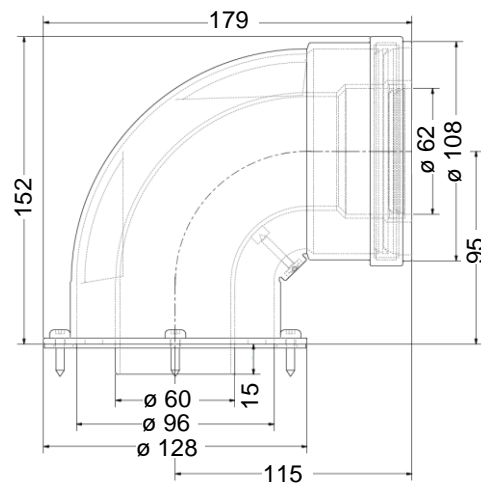
Code

Marking

6384

A2002025

Dimensions



90° Elbow with Flange, test points, rotating

3D model



Photo



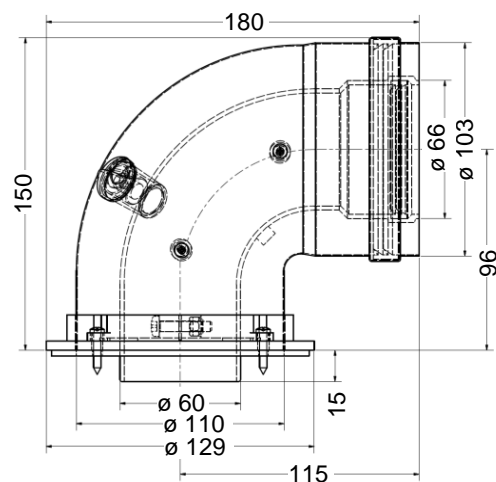
Code

Marking

7216

A2008164

Dimensions



Concentric Flue Pipes, Polypropylene, diam. 60/100

Flange with Test Points

3D model



Photo



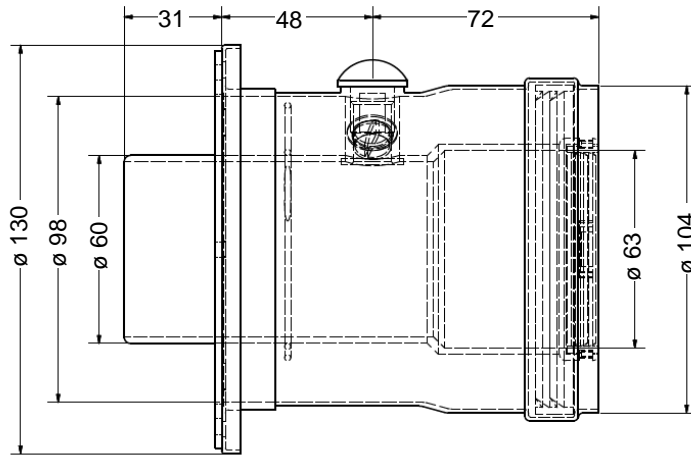
Code

4673

Marking

A2002007

Dimensions



Boiler Adapter with Test Points

3D model



Photo



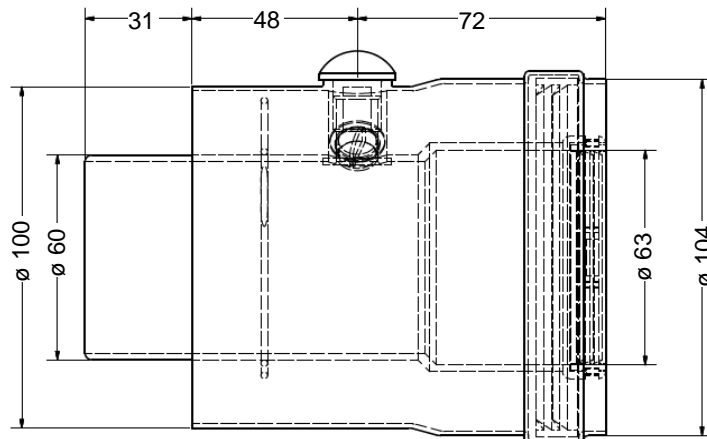
Code

7807

Marking

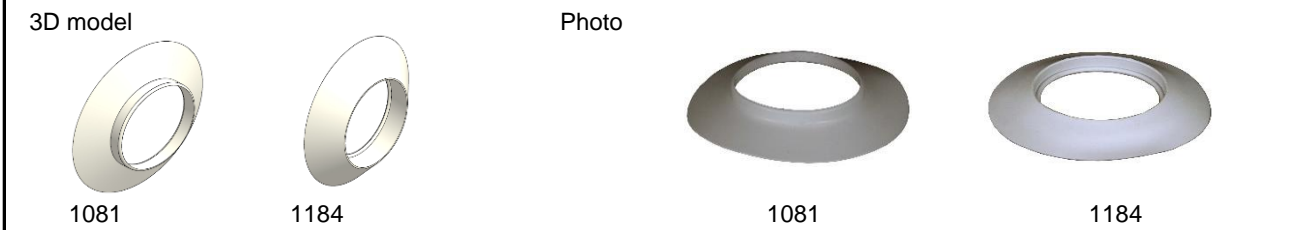
A2002091

Dimensions



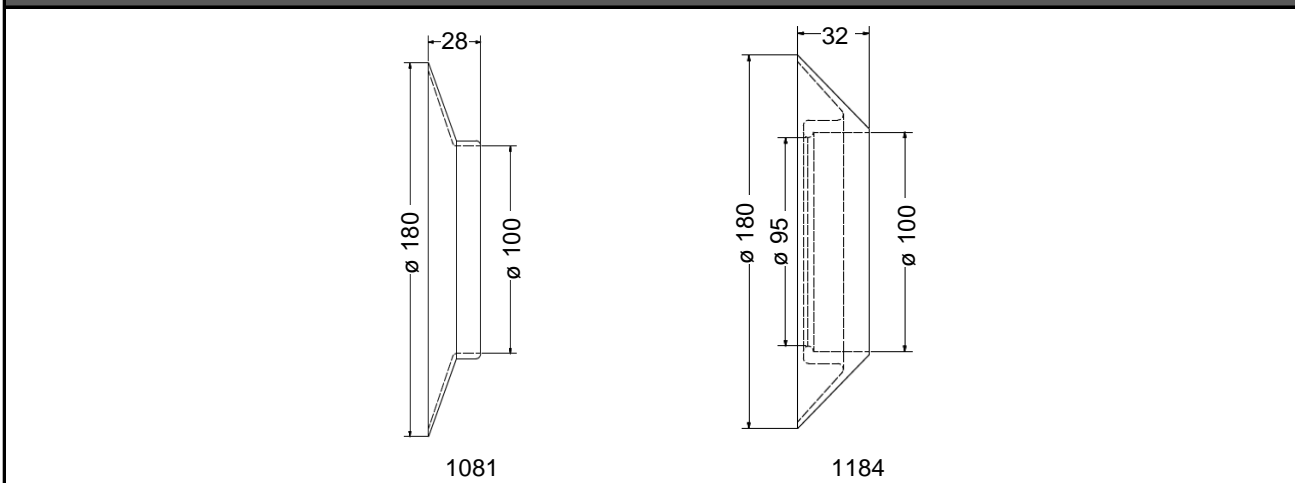
Concentric Flue Pipes, Polypropylene, diam. 60/100

Wall Collars



Codes	Marking	Position
1081	A1015356	Inner
1184	A1015358	Outer

Dimensions

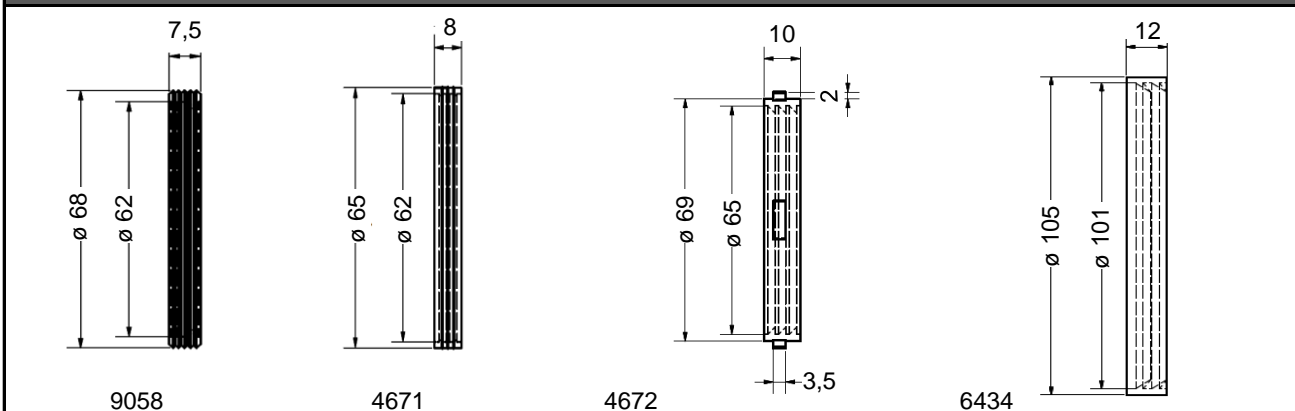


Gaskets



Codes	Marking	Diameter	Specification
9058	A1013310	60 mm	2 lips
4671	A1013020	60 mm	3 lips
4672	A1013184	60 mm	3 lips, with teeth
6434	A1015165	100 mm	2 lips, grey silicone

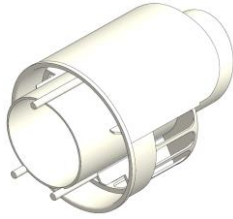
Dimensions



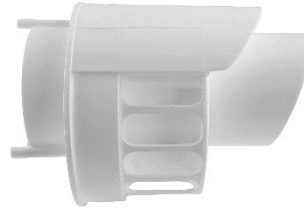
Concentric Flue Pipes, Polypropylene, diam. 60/100

Flue Terminal

3D model



Photo



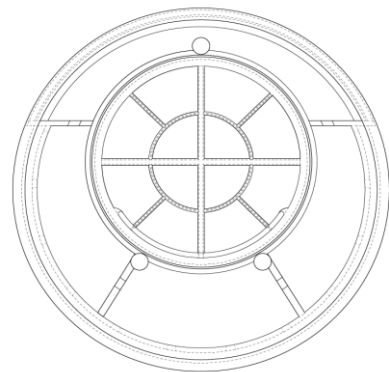
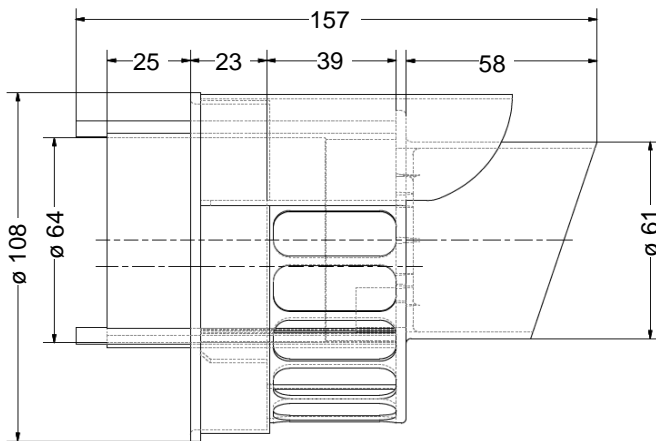
Code

14692

Marking

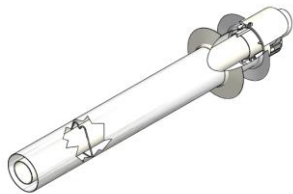
BB002021

Dimensions

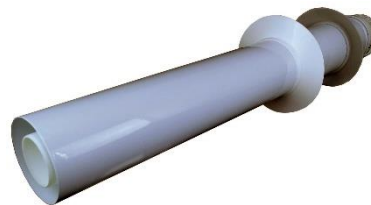


Horizontal Flue Terminal

3D model



Photo



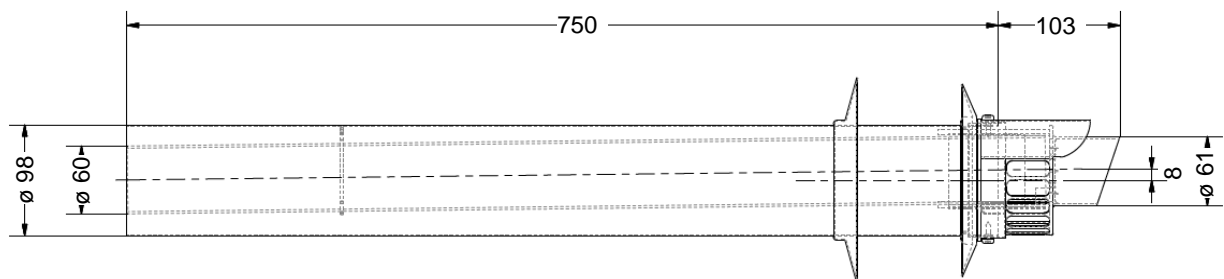
Code

4677

Marking

A2008004

Dimensions



Concentric Flue Pipes, Polypropylene, diam. 60/100

Vertical Flue Terminals



Codes	Marking	Colour
11253	A5023165	black
11254	A6023165	red

Dimensions

