

**MINIB<sup>®</sup>** 

**WALL-MOUNTED  
AND FREE-STANDING  
CONVECTORS** with new design



●●● more than just heat

# ABOUT US



## CERTIFICATE

Certification Body Management System No. 3053  
TUV SUD Czech s.r.o.

certifies that

MINIB

MINIB, a.s.  
Štěpánická 885/88  
CZ – 162 00 Praha 6 - Vokovice  
Ident. No.: 2372193

has established and applies  
a Quality Management System for

fan coil manufacture

An audit was performed, Report No. 06.482.001  
Proof has been furnished that the requirements  
according to

ČSN EN ISO 9001:2009

are fulfilled. The certificate is valid until 11.03.2016  
Certificate Registration No. 06.477.172



## ABOUT THE COMPANY

MINIB, a.s. is an entirely Czech business which ranks among the leading manufacturers of convectors in the Czech Republic. It currently exports its products to thirty countries in Europe, Asia, Australia, and America.

Since 1999, MINIB has been systematically innovating production technology and its products, and it invests quite considerable amounts in its own development and design, with the goal of offering its customers advanced technical and esthetic solutions.

MINIB is an economically stable company which has been consistently generating profit. This allows us to invest funds in research and development, technology, and above all, human resources in order to ensure long-term successful development of our company.

## ABOUT THE MANUFACTURING PROCESS

The manufacturing facility is located in Býkev near Mělník, and has excellent road connections. It is furnished with state-of-the-art manufacturing technology. Most manufacturing operations are carried out on CNC machines, which allows us to meet even the most sophisticated requirements of our demanding customers.

Based on individual requirements of our customers, we are able to make also various non-typical products to meet their specific need.

All products are made only from high-quality materials with long life cycle, which allows us to offer ten-year warranty on the heat exchangers and the stainless steel convector troughs.

MINIB is a holder of an ISO 9001:2009 certificate and numerous utility models and patents.

## ABOUT THE PRODUCTS

Minib's product portfolio includes more than 70 types of convectors. Customers can therefore choose the suitable convector for any interior environment.

The main benefit of convectors is that they are effective, modern, efficient and esthetic heating units designed for dry and wet environment. Significant energy savings are achieved by the low water consumption for immediate heating or cooling of the room. The low water consumption results in low consumption of energy needed for water heating. In addition to the energy and water savings, the great heating and cooling dynamics is also important. Another benefit of these products is undoubtedly low space requirements. Convectors do not disturb the esthetic experience of the room, offer modern design, and are safe thanks to the 12V power supply.

› **FREE-STANDING AND WALL-MOUNTED** convectors are available with or without fans, with modern design and new technical solution.

MINIB's advantage is its ability to satisfy also specific non-typical requirements of customers and to produce convectors exactly according to their wishes, for example, curved or angular forms with various joints. MINIB pursues high standard of user comfort. All products are easy to install and maintain.

A broad selection of accessories is available for each convector type. MINIB has received a number of national and international awards for its products.

# CONTENTS

Cross sections – wall-mounted convectors	4
Cross sections – free-standing convectors	5
Development of our products	6

## WALL-MOUNTED CONVECTORS

with new modern design

NUF 1	8
NUF 2	9
NPF 1	10
NPF 2	11
NMF 1	12
NWF 1	13
NWF 2	14
NWF 3	15

## WALL-MOUNTED CONVECTORS WITH A FAN

specially developed for low-temperature systems with new modern design

NKF 1	16
NKF 2	18

without the need for power supply

NKF PTG	20
---------	----

## FREE-STANDING CONVECTORS

with new modern design

SUF 1	23
SUF 2	24
SPF 0	25
SPF 1	26
SPF 2	27
SMF 1	28
SWF 1	29
SWF 2	30
SWF 3	31

## FREE-STANDING CONVECTORS WITH A FAN

specially developed for low-temperature systems with new modern design

SKF 1	32
SKF 2	34

without the need for power supply

SKF PTG	36
---------	----

Grilles	37
Pressure loss charts	38
References	39



dry environment

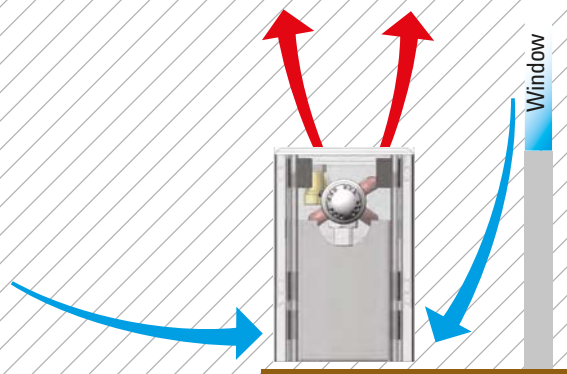


wet environment



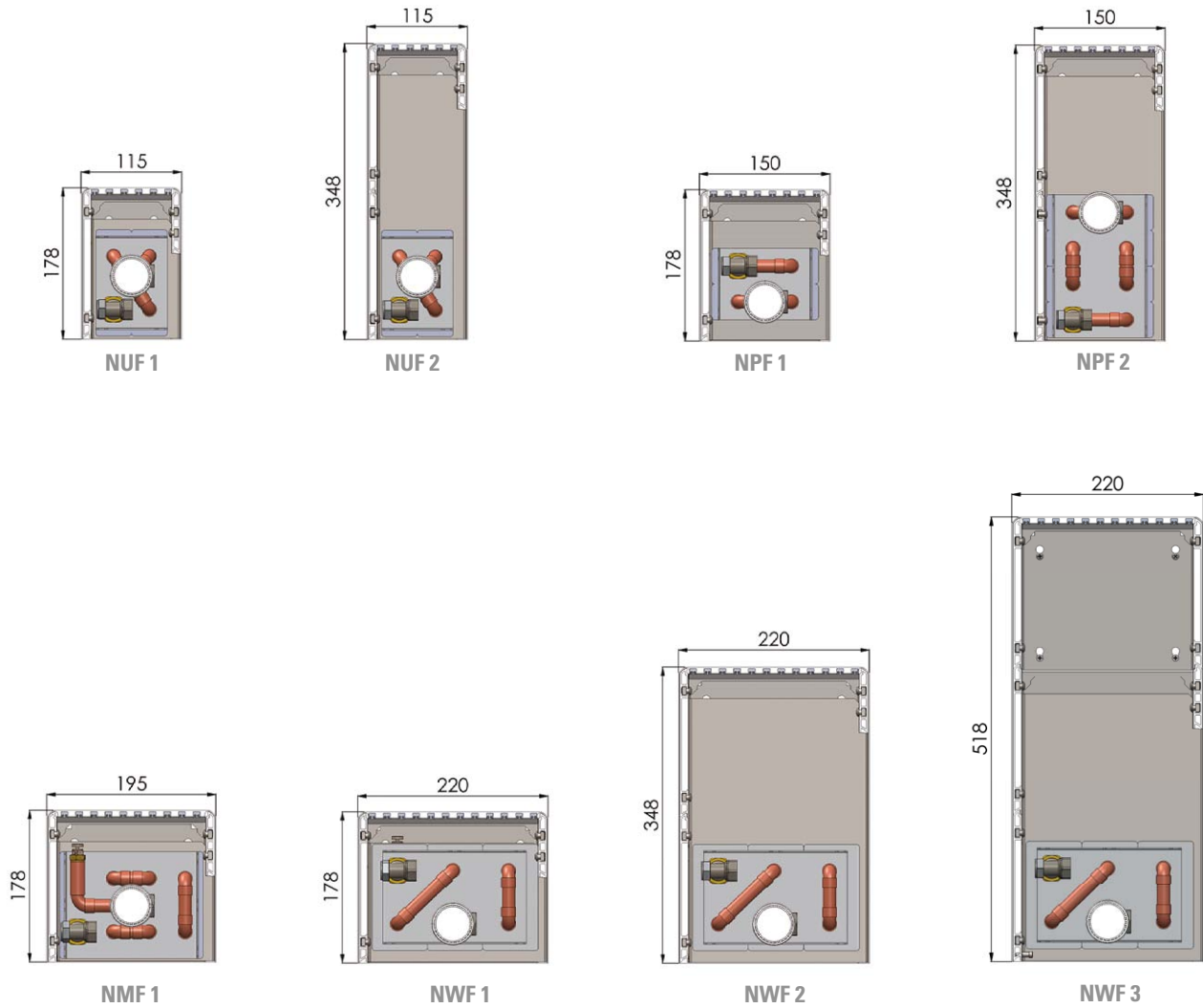
fan

## EXAMPLE OF AIR FLOW IN THE ROOM

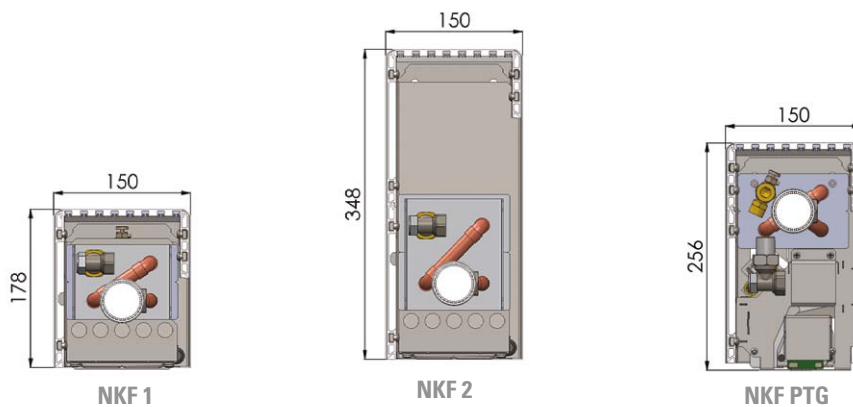


# CROSS SECTIONS OF CONVECTORS

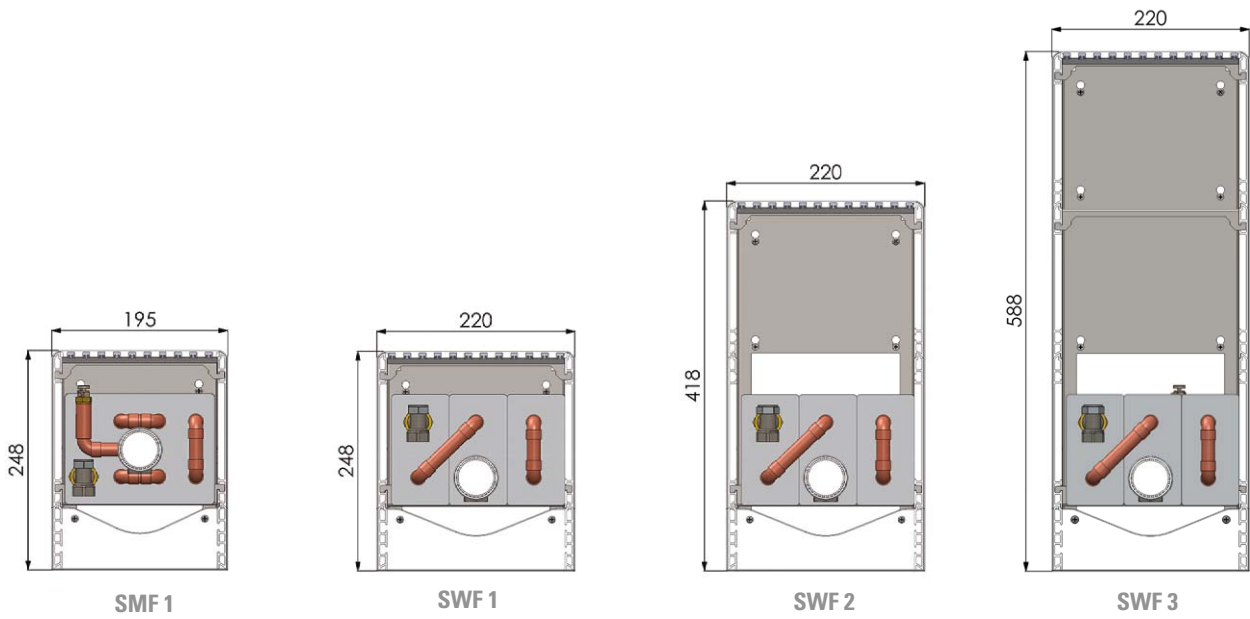
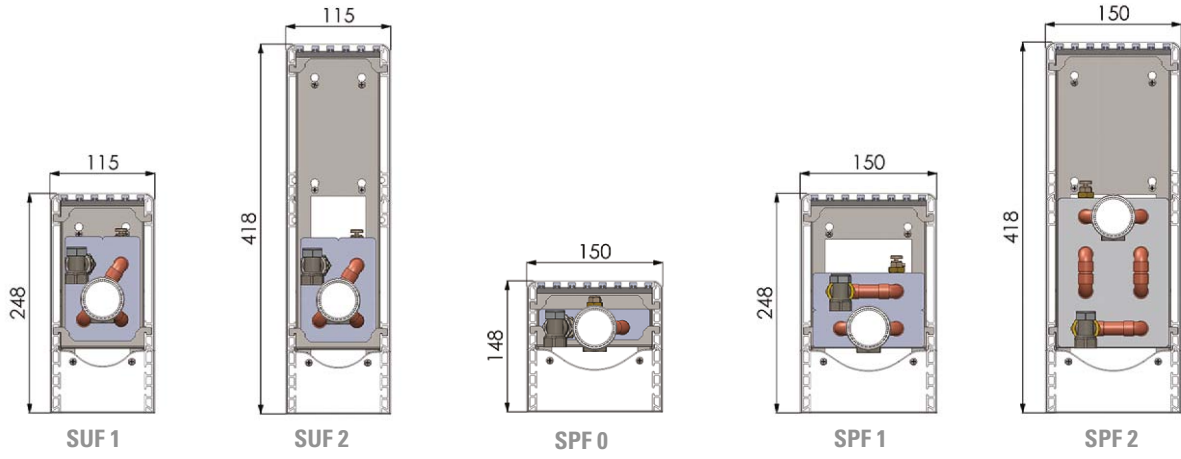
## WALL-MOUNTED CONVECTORS



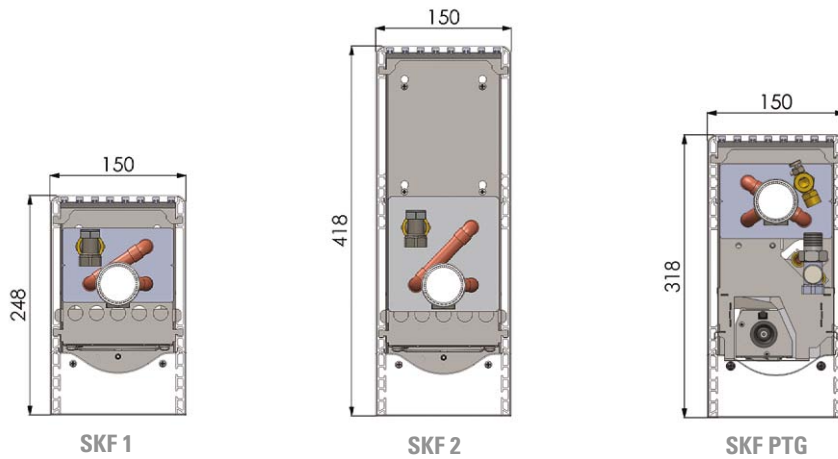
## WALL-MOUNTED CONVECTORS WITH A FAN



## FREE-STANDING CONVECTORS



## FREE-STANDING CONVECTORS WITH A FAN



# DEVELOPMENT OF OUR PRODUCTS

## DEVELOPMENT OFFICE OF MINIB, A.S.

MINIB includes a development office which has developed simulation physical 3D software. Our products start with a design and sophisticated calculation in this program which shows only minimum deviation from reality. The next stage of development is a visual test of air flow in our test room simulating the different environmental conditions in our customers' houses.



To ensure reliability, safety and functionality, all of our products are certified and tested in the Mechanical Engineering Testing Institute (Strojírenský zkušební ústav, s.p.) before being introduced in the market.



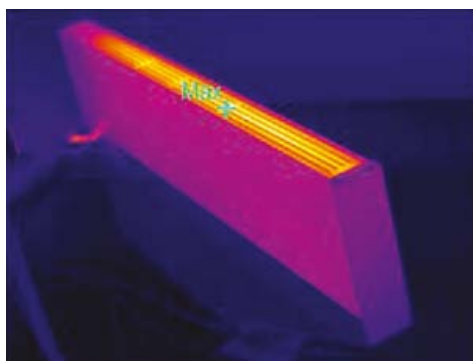
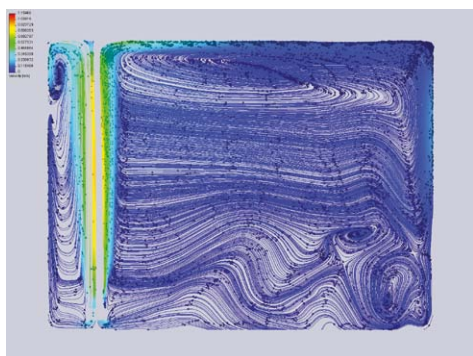
Our products are tested in an independent accredited testing laboratory where tests of heating units and small HVAC equipment are performed according to European standards. We perform the tests here not only to certify our products for the European Union market but also to optimize our products in the development stage.



We work closely with the Czech Technical University (ČVUT) in Prague on the development and improvement of our products. In cooperation with the Faculty of Mechanical Engineering our products are designed to maximize efficiency and functionality in order to meet the strictest requirements for environmental comfort both in offices and homes.

## INNOVATION

Models of wall-mounted and free-standing convectors are characterized by robust design which features preciseness and offers easy installation. The standard temperature control is provided by thermostatic head, for comfortable use you have the option to use, together with the selected control system, an electrothermic head. Upon the customer's request, the control can be placed inside the convector body (except for model SPF0), which – together with the hidden heating water supply line – ensures that the smooth design line is not disturbed.



# WALL-MOUNTED CONVECTORS



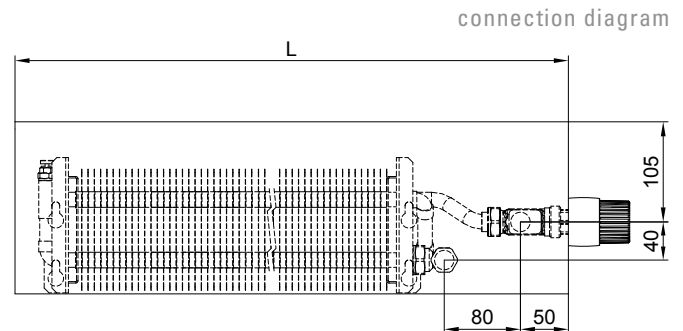
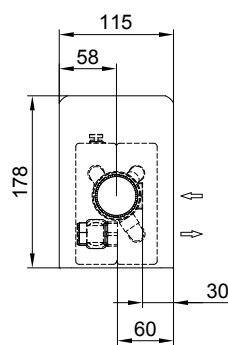
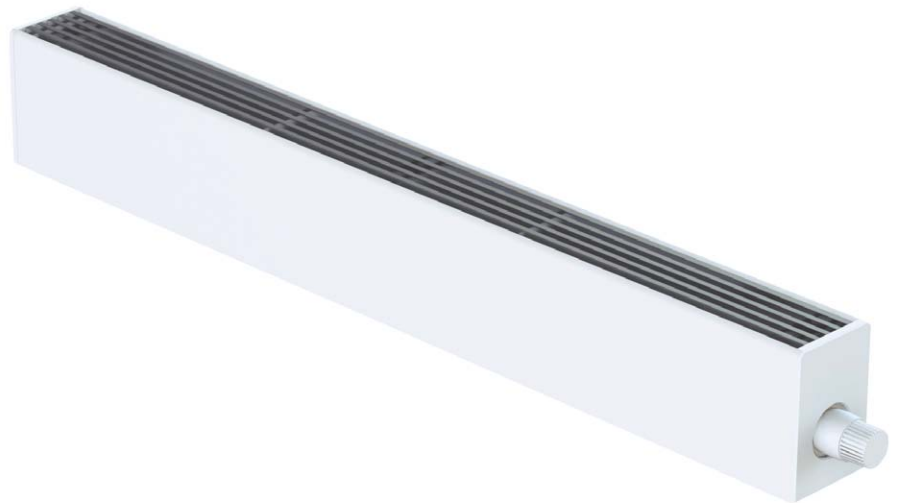


# NUF 1

Narrowest wall-mounted convector without fan.

## HEAT OUTPUT Q [W]

		air temperature $t_A$		
		15	20	22
mean water temperature $t_w$		<b>length L (mm)</b>		<b>900</b>
	85/75	675	605	577
	75/65	537	471	446
	65/55	408	347	324
	50/40	234	183	163
		15	20	22
		<b>length L (mm)</b>		<b>1000</b>
	85/75	769	689	658
	75/65	612	537	508
	65/55	465	396	369
	50/40	267	208	186
		15	20	22
		<b>length L (mm)</b>		<b>1250</b>
	85/75	1 005	901	860
	75/65	800	702	664
	65/55	608	517	482
	50/40	349	272	243
		15	20	22
		<b>length L (mm)</b>		<b>1500</b>
	85/75	1 241	1 112	1 062
75/65	987	867	820	
65/55	751	639	596	
50/40	431	336	300	
	15	20	22	
	<b>length L (mm)</b>		<b>1750</b>	
85/75	1 477	1 324	1 264	
75/65	1 175	1 032	976	
65/55	893	760	709	
50/40	513	400	357	
	15	20	22	
	<b>length L (mm)</b>		<b>2000</b>	
85/75	1 712	1 535	1 465	
75/65	1 363	1 196	1 131	
65/55	1 036	882	822	
50/40	595	464	414	



### CHARACTERISTICS

- high natural convection output
- short response time

### DIMENSIONS

width	115 mm
design height	178 mm
length	900 to 2000 mm
connection	G½"

### COLOR DESIGN

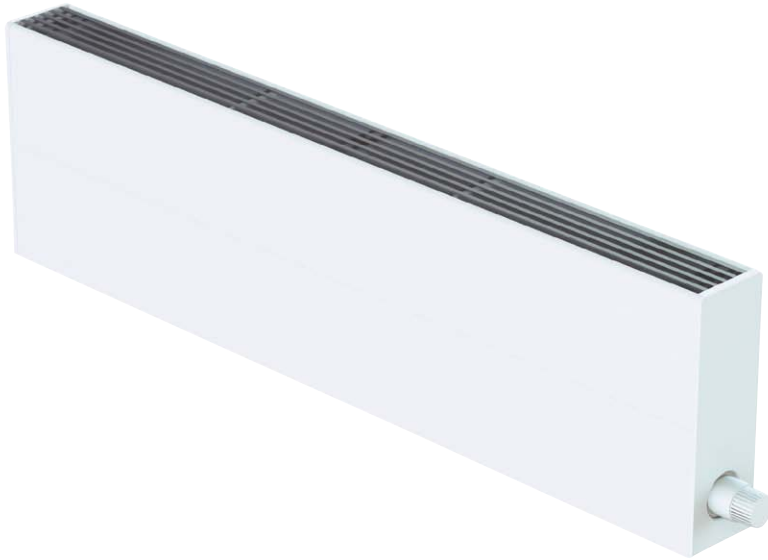
silver / grille: silver  
 light bronze / grille: light bronze  
 dark bronze / grille: dark bronze  
 painted RAL 9016 semi-glossy (white) /  
 grille: silver

**CAUTION:** The decorative convector grille must not be exposed to weight load or covered.





## NUF 2

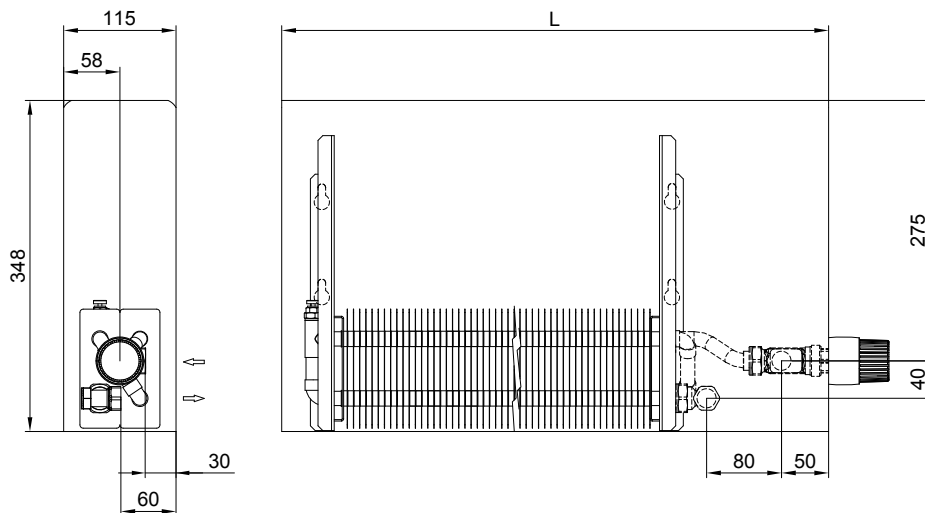


Narrowest wall-mounted convector without fan with higher heat output.

## HEAT OUTPUT Q [W]

	air temperature $t_a$			
	15	20	22	
mean water temperature $t_w$	length L (mm) <b>900</b>			
	85/75	873	782	747
	75/65	695	<b>610</b>	577
	65/55	528	449	419
	50/40	303	236	211
	15	20	22	
	length L (mm) <b>1000</b>			
	85/75	995	892	851
	75/65	792	<b>695</b>	657
	65/55	602	512	478
50/40	346	270	240	
15	20	22		
length L (mm) <b>1250</b>				
85/75	1 300	1 165	1 113	
75/65	1 035	<b>908</b>	859	
65/55	786	670	624	
50/40	452	352	314	
15	20	22		
length L (mm) <b>1500</b>				
85/75	1 605	1 439	1 374	
75/65	1 277	<b>1 121</b>	1 061	
65/55	971	827	771	
50/40	558	435	388	
15	20	22		
length L (mm) <b>1750</b>				
85/75	1 910	1 712	1 635	
75/65	1 520	<b>1 335</b>	1 262	
65/55	1 156	984	917	
50/40	664	518	462	
15	20	22		
length L (mm) <b>2000</b>				
85/75	2 215	1 986	1 896	
75/65	1 763	<b>1 548</b>	1 464	
65/55	1 340	1 141	1 064	
50/40	770	600	536	

connection diagram



## CHARACTERISTICS

- high natural convection output
- short response time

## DIMENSIONS

width	115 mm
design height	348 mm
length	900 to 2000 mm
connection	G½"

## COLOR DESIGN

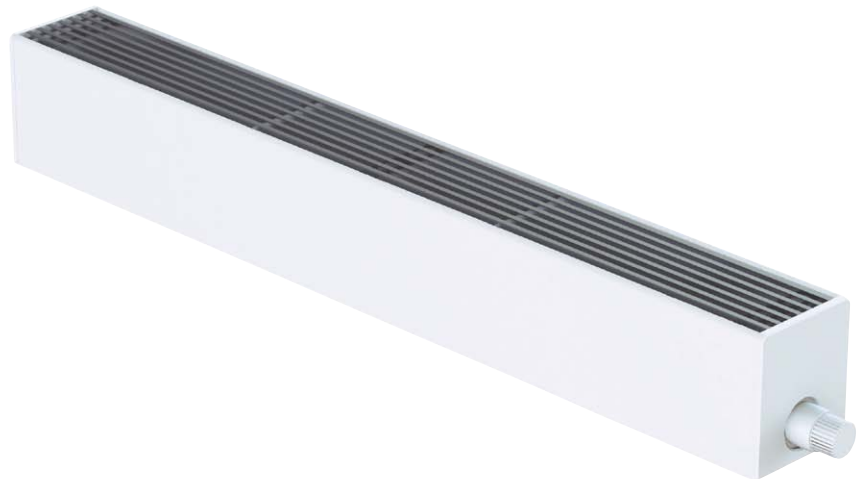
silver / grille: silver  
 light bronze / grille: light bronze  
 dark bronze / grille: dark bronze  
 painted RAL 9016 semi-glossy (white) /  
 grille: silver

**CAUTION:** The decorative convector grille must not be exposed to weight load or covered.



# NPF 1

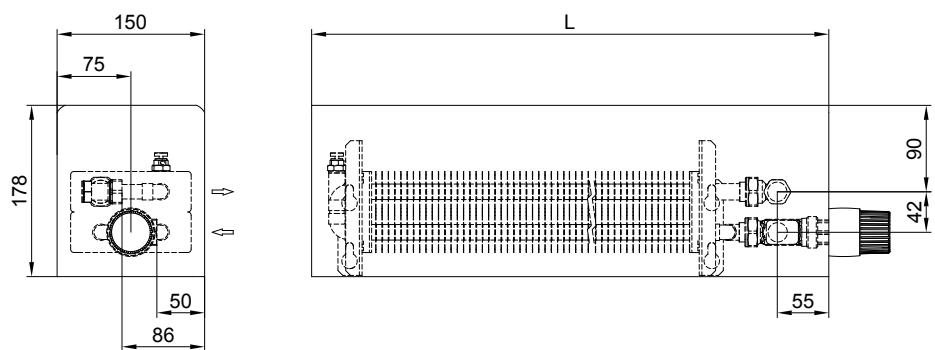
Standard wall-mounted convector without fan.



## HEAT OUTPUT Q [W]

		air temperature $t_a$		
		15	20	22
		<b>length L (mm) 900</b>		
mean water temperature $t_w$	85/75	869	780	745
	75/65	693	609	576
	65/55	528	450	419
	50/40	304	237	212
		15	20	22
		<b>length L (mm) 1000</b>		
mean water temperature $t_w$	85/75	992	890	849
	75/65	790	694	657
	65/55	602	513	478
	50/40	347	271	242
		15	20	22
		<b>length L (mm) 1250</b>		
mean water temperature $t_w$	85/75	1 298	1 164	1 112
	75/65	1 034	909	860
	65/55	788	671	626
	50/40	454	354	317
		15	20	22
		<b>length L (mm) 1500</b>		
mean water temperature $t_w$	85/75	1 604	1 439	1 374
	75/65	1 278	1 123	1 062
	65/55	973	829	774
	50/40	561	438	391
		15	20	22
		<b>length L (mm) 1750</b>		
mean water temperature $t_w$	85/75	1 910	1 713	1 636
	75/65	1 522	1 337	1 265
	65/55	1 159	988	921
	50/40	668	522	466
		15	20	22
		<b>length L (mm) 2000</b>		
mean water temperature $t_w$	85/75	2 216	1 988	1 898
	75/65	1 766	1 552	1 468
	65/55	1 345	1 146	1 069
	50/40	775	605	541
		15	20	22

connection diagram



## CHARACTERISTICS

- high natural convection output
- short response time

## DIMENSIONS

width	150 mm
design height	178 mm
length	900 to 2000 mm
connection	G½"

## COLOR DESIGN

silver / grille: silver  
 light bronze / grille: light bronze  
 dark bronze / grille: dark bronze  
 painted RAL 9016 semi-glossy (white) / grille: silver

**CAUTION:** The decorative convector grille must not be exposed to weight load or covered.



## NPF 2

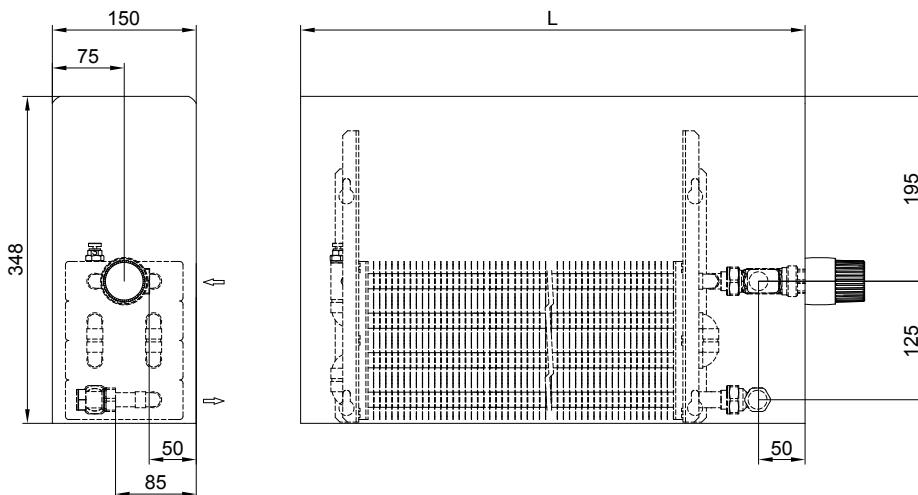


Standard wall-mounted convector without fan with higher heat output.

## HEAT OUTPUT Q [W]

	air temperature $t_a$			
	15	20	22	
mean water temperature $t_w$	length L (mm) <b>900</b>			
	85/75	1 324	1 182	1 127
	75/65	1 045	<b>913</b>	862
	65/55	787	666	619
	50/40	443	342	304
	length L (mm) <b>1000</b>			
	85/75	1 509	1 347	1 284
	75/65	1 191	<b>1 041</b>	983
	65/55	897	759	706
	50/40	505	390	347
length L (mm) <b>1250</b>				
85/75	1 972	1 761	1 678	
75/65	1 557	<b>1 360</b>	1 284	
65/55	1 172	992	922	
50/40	660	510	453	
length L (mm) <b>1500</b>				
85/75	2 435	2 174	2 072	
75/65	1 922	<b>1 680</b>	1 585	
65/55	1 447	1 225	1 139	
50/40	815	630	560	
length L (mm) <b>1750</b>				
85/75	2 898	2 587	2 466	
75/65	2 288	<b>1 999</b>	1 887	
65/55	1 722	1 458	1 356	
50/40	970	749	666	
length L (mm) <b>2000</b>				
85/75	3 361	3 001	2 860	
75/65	2 653	<b>2 318</b>	2 188	
65/55	1 997	1 690	1 572	
50/40	1 125	869	772	

connection diagram



## CHARACTERISTICS

- high natural convection output
- short response time

## DIMENSIONS

width	150 mm
design height	348 mm
length	900 to 2000 mm
connection	G½"

## COLOR DESIGN

silver / grille: silver  
 light bronze / grille: light bronze  
 dark bronze / grille: dark bronze  
 painted RAL 9016 semi-glossy (white) /  
 grille: silver

**CAUTION:** The decorative convector grille must not be exposed to weight load or covered.

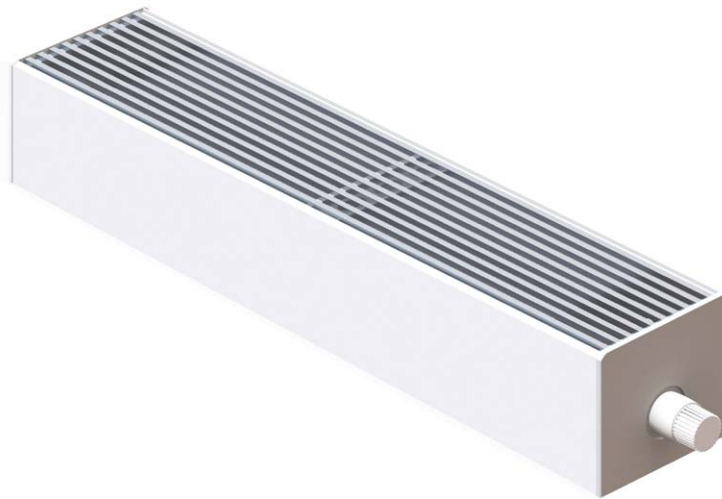


# NMF 1

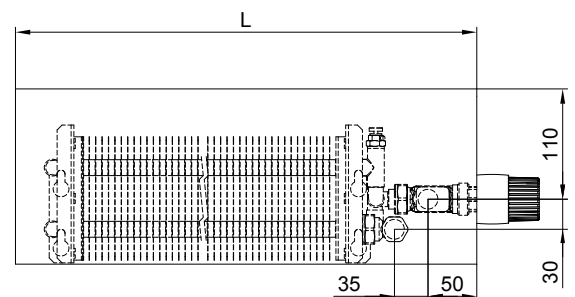
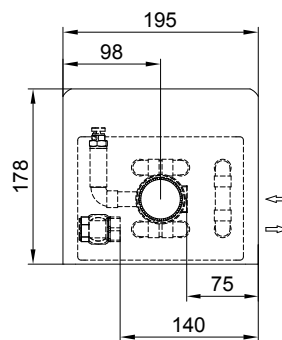
Wall-mounted convector without fan with height 178 mm and width 195 mm.

## HEAT OUTPUT Q [W]

		air temperature $t_a$		
		15	20	22
mean water temperature $t_w$		<b>length L (mm)</b>		<b>900</b>
	85/75	1303	1159	1103
	75/65	1021	888	837
	65/55	762	641	595
	50/40	528	422	377
		15	20	22
		<b>length L (mm)</b>		<b>1000</b>
	85/75	1491	1327	1263
	75/65	1169	1017	958
	65/55	872	734	681
50/40	604	483	432	
	15	20	22	
	<b>length L (mm)</b>		<b>1250</b>	
85/75	1963	1747	1663	
75/65	1539	1339	1261	
65/55	1148	967	897	
50/40	796	635	568	
	15	20	22	
	<b>length L (mm)</b>		<b>1500</b>	
85/75	2435	2167	2062	
75/65	1909	1661	1565	
65/55	1424	1199	1113	
50/40	987	788	705	
	15	20	22	
	<b>length L (mm)</b>		<b>1750</b>	
85/75	2907	2587	2462	
75/65	2278	1983	1868	
65/55	1700	1432	1328	
50/40	1178	941	841	
	15	20	22	
	<b>length L (mm)</b>		<b>2000</b>	
85/75	3379	3007	2862	
75/65	2648	2304	2171	
65/55	1976	1664	1544	
50/40	1369	1094	978	



connection diagram



## CHARACTERISTICS

- very high natural convection output
- short response time

## DIMENSIONS

width	195 mm
design height	178 mm
length	900 to 2000 mm
connection	G½"

## COLOR DESIGN

silver / grille: silver  
 light bronze / grille: light bronze  
 dark bronze / grille: dark bronze  
 painted RAL 9016 semi-glossy (white) /  
 grille: silver

**CAUTION:** The decorative convector grille must not be exposed to weight load or covered.



NWF 1

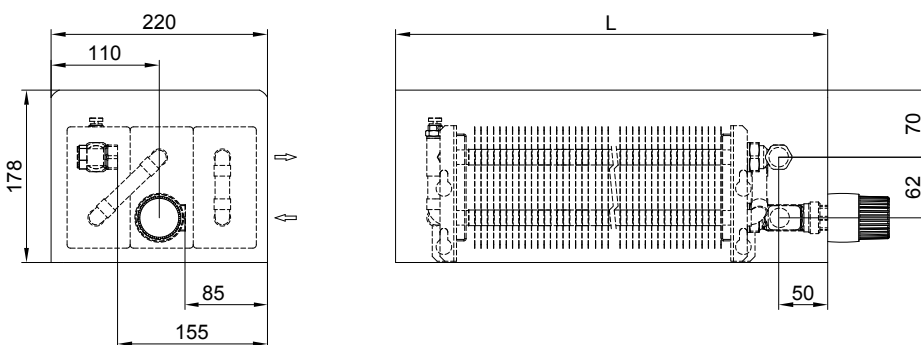


Most powerful wall-mounted convector without fan with height 178 mm.

## HEAT OUTPUT Q [W]

	air temperature $t_a$			
	15	20	22	
mean water temperature $t_w$	length L (mm) <b>900</b>			
	85/75	1 533	1 369	1 305
	75/65	1 210	<b>1 057</b>	998
	65/55	910	770	716
	50/40	512	396	352
	15 20 22			
	length L (mm) <b>1000</b>			
	85/75	1 748	1 560	1 487
	75/65	1 379	<b>1 205</b>	1 137
	65/55	1 038	878	817
50/40	584	451	401	
15 20 22				
length L (mm) <b>1250</b>				
85/75	2 284	2 039	1 943	
75/65	1 802	<b>1 575</b>	1 486	
65/55	1 356	1 148	1 067	
50/40	763	590	524	
15 20 22				
length L (mm) <b>1500</b>				
85/75	2 820	2 517	2 399	
75/65	2 225	<b>1 944</b>	1 835	
65/55	1 675	1 417	1 318	
50/40	943	728	647	
15 20 22				
length L (mm) <b>1750</b>				
85/75	3 356	2 996	2 856	
75/65	2 648	<b>2 314</b>	2 184	
65/55	1 993	1 686	1 568	
50/40	1 122	866	770	
15 20 22				
length L (mm) <b>2000</b>				
85/75	3 892	3 475	3 312	
75/65	3 072	<b>2 683</b>	2 533	
65/55	2 311	1 956	1 819	
50/40	1 301	1 005	893	

connection diagram



## CHARACTERISTICS

- very high natural convection output
- short response time

## DIMENSIONS

width	220 mm
design height	178 mm
length	900 to 2000 mm
connection	G½"

## COLOR DESIGN

silver / grille: silver  
 light bronze / grille: light bronze  
 dark bronze / grille: dark bronze  
 painted RAL 9016 semi-glossy (white) /  
 grille: silver

**CAUTION:** The decorative convector grille must not be exposed to weight load or covered.



# NWF 2

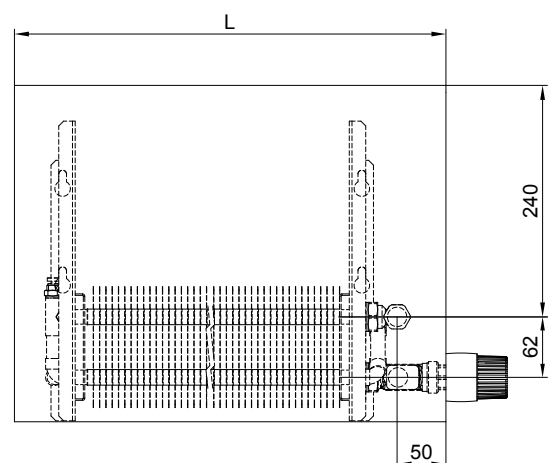
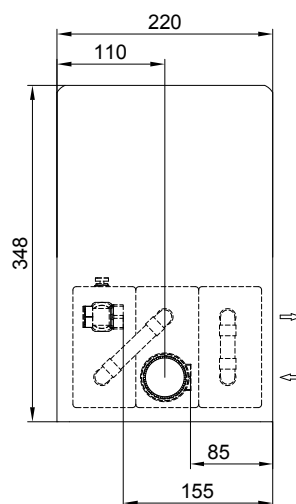
Very powerful wall-mounted convector with height 348 mm.



## HEAT OUTPUT Q [W]

	air temperature $t_a$			
	15	20	22	
mean water temperature $t_w$	<b>length L (mm) 900</b>			
	85/75	1 854	1 662	1 587
	75/65	1 476	1 296	1 226
	65/55	1 122	956	891
	50/40	645	503	449
	15	20	22	
	<b>length L (mm) 1000</b>			
	85/75	2 113	1 894	1 809
	75/65	1 682	1 477	1 397
	65/55	1 279	1 089	1 016
50/40	735	573	512	
15	20	22		
<b>length L (mm) 1250</b>				
85/75	2 761	2 476	2 364	
75/65	2 198	1 930	1 825	
65/55	1 672	1 423	1 327	
50/40	961	749	669	
15	20	22		
<b>length L (mm) 1500</b>				
85/75	3 410	3 057	2 918	
75/65	2 714	2 383	2 254	
65/55	2 064	1 757	1 639	
50/40	1 187	925	826	
15	20	22		
<b>length L (mm) 1750</b>				
85/75	4 058	3 638	3 473	
75/65	3 230	2 836	2 682	
65/55	2 456	2 091	1 950	
50/40	1 412	1 101	983	
15	20	22		
<b>length L (mm) 2000</b>				
85/75	4 706	4 219	4 028	
75/65	3 746	3 289	3 111	
65/55	2 849	2 426	2 262	
50/40	1 638	1 277	1 140	

connection diagram



## CHARACTERISTICS

- very high natural convection output
- short response time

## DIMENSIONS

width	220 mm
design height	348 mm
length	900 to 2000 mm
connection	½"

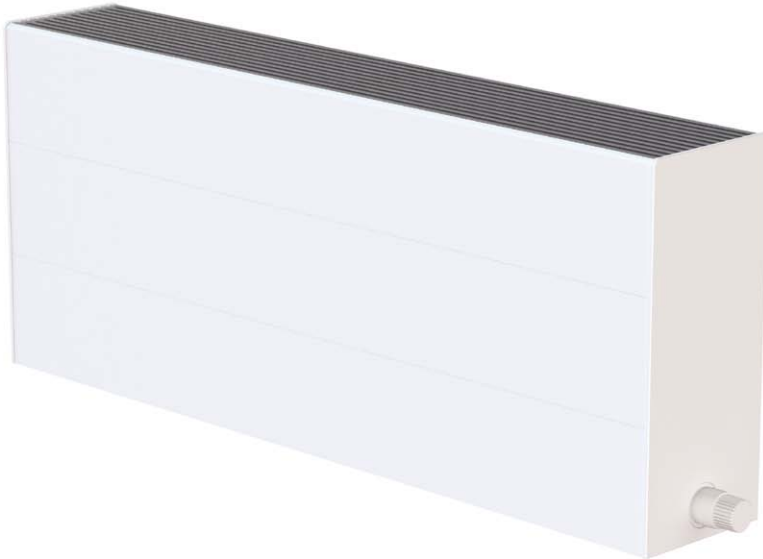
## COLOR DESIGN

silver / grille: silver  
 light bronze / grille: light bronze  
 dark bronze / grille: dark bronze  
 painted RAL 9016 semi-glossy (white) /  
 grille: silver

**CAUTION:** The decorative convector grille must not be exposed to weight load or covered.



NWF 3

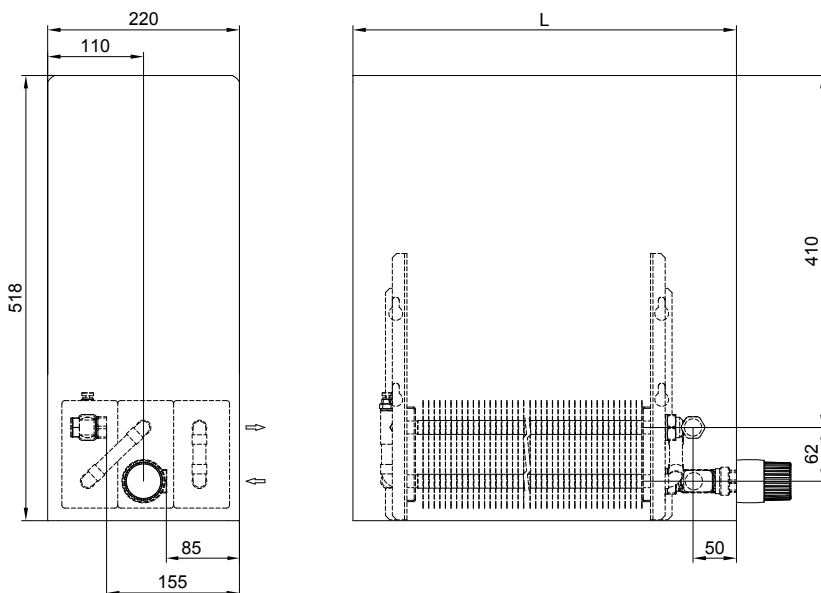


Most powerful wall-mounted convector with natural convection and height 518 mm.

## HEAT OUTPUT Q [W]

	air temperature $t_a$			
	15	20	22	
mean water temperature $t_w$	<b>length L (mm) 900</b>			
	85/75	2237	2003	1911
	75/65	1776	1557	1472
	65/55	1346	1144	1066
	50/40	951	769	692
	<b>15 20 22</b>			
	<b>length L (mm) 1000</b>			
	85/75	2552	2285	2180
	75/65	2026	1776	1679
	65/55	1536	1305	1216
	50/40	1085	877	789
	<b>15 20 22</b>			
<b>length L (mm) 1250</b>				
85/75	3340	2990	2853	
75/65	2652	2325	2197	
65/55	2010	1708	1591	
50/40	1420	1148	1033	
<b>15 20 22</b>				
<b>length L (mm) 1500</b>				
85/75	4127	3695	3526	
75/65	3277	2873	2715	
65/55	2484	2111	1966	
50/40	1755	1419	1277	
<b>15 20 22</b>				
<b>length L (mm) 1750</b>				
85/75	4915	4401	4199	
75/65	3902	3421	3233	
65/55	2958	2514	2342	
50/40	2090	1690	1520	
<b>15 20 22</b>				
<b>length L (mm) 2000</b>				
85/75	5703	5106	4872	
75/65	4528	3969	3752	
65/55	3432	2917	2717	
50/40	2425	1960	1764	

connection diagram



## CHARACTERISTICS

- very high natural convection output
- short response time

## DIMENSIONS

width	220 mm
design height	518 mm
length	900 to 2000 mm
connection	G½"

## COLOR DESIGN

silver / grille: silver  
 light bronze / grille: light bronze  
 dark bronze / grille: dark bronze  
 painted RAL 9016 semi-glossy (white) /  
 grille: silver

**CAUTION:** The decorative convector grille must not be exposed to weight load or covered.

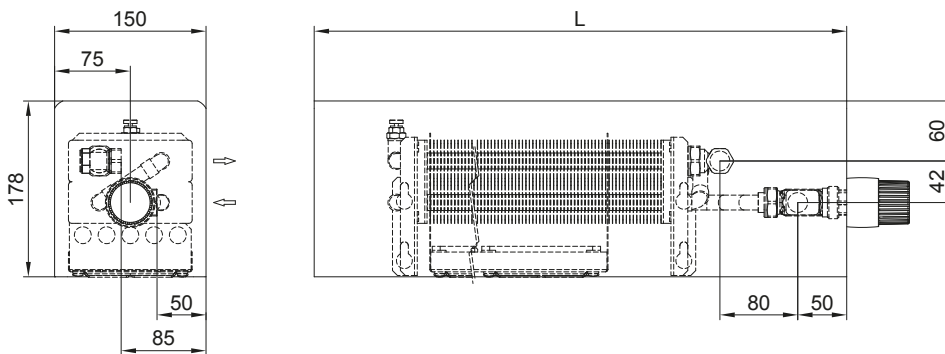
# NKF 1

**Lowest wall-mounted convector with a fan.**

Suitable for low-temperature systems.



connection diagram



## CHARACTERISTICS

- high forced convection output
- heating unit with short response time
- heating also when the fan is off
- low electricity consumption
- safe 12V DC voltage
- easy operation

## DIMENSIONS

width	150 mm
design height	178 mm
length	900 to 2000 mm
connection	G½"

## COLOR DESIGN

silver / grille: silver  
 light bronze / grille: light bronze  
 dark bronze / grille: dark bronze  
 painted RAL 9016 semi-glossy (white) /  
 grille: silver

**CAUTION:** The decorative convector grille must not be exposed to weight load or covered.

Recommended control  
 EB-A, EB-B or EB-C

## ELECTRIC INPUT FOR FANS

length	input power
900	5 VA
1000	6 VA
1250	8 VA
1500	10 VA
1750	12 VA
2000	14 VA







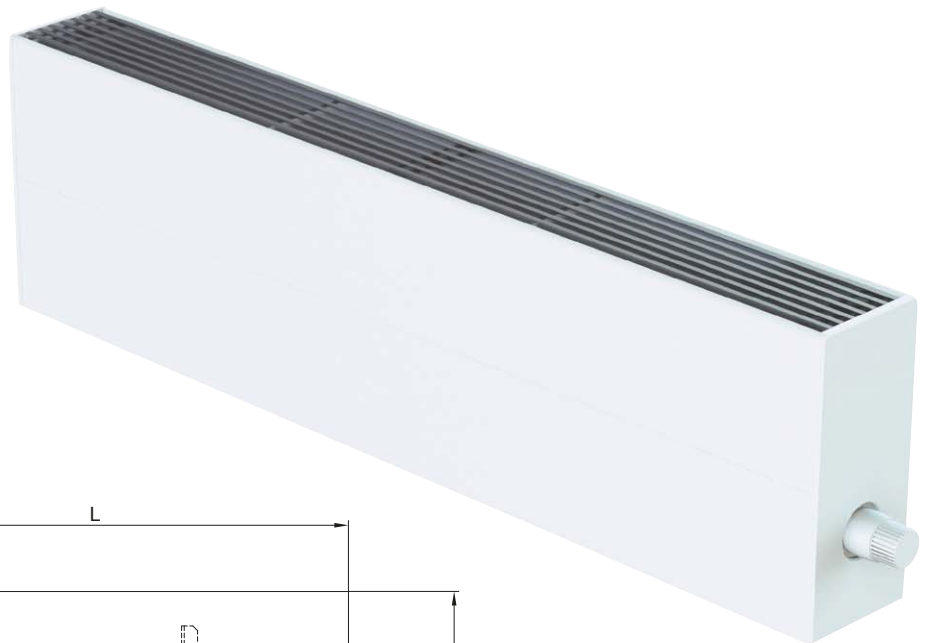
HEAT OUTPUT Q [W]

		stage 0 natural convection			stage 1 minimum speed			stage 2 medium speed			stage 3 maximum speed			
		air temperature $t_a$			air temperature $t_a$			air temperature $t_a$			air temperature $t_a$			
		15	20	22	15	20	22	15	20	22	15	20	22	
mean water temperature $t_w$	900	length L (mm)			length L (mm)			length L (mm)			length L (mm)			
		85/75	349	321	310	1250	1150	1110	2036	1872	1807	2412	2218	2141
		75/65	293	265	254	1050	950	910	1709	1547	1482	2025	1833	1756
		65/55	237	210	199	851	752	713	1385	1225	1161	1642	1451	1375
		50/40	182	155	143	654	557	514	1065	906	837	1262	1074	991
	1000	length L (mm)			length L (mm)			length L (mm)			length L (mm)			
		85/75	406	373	360	1455	1338	1292	2370	2179	2103	2808	2582	2492
		75/65	341	308	296	1222	1106	1059	1989	1801	1725	2357	2133	2044
		65/55	276	244	231	990	875	830	1613	1426	1351	1911	1689	1601
		50/40	212	181	167	761	648	598	1240	1055	974	1469	1250	1154
	1250	length L (mm)			length L (mm)			length L (mm)			length L (mm)			
		85/75	549	505	487	1967	1809	1746	3204	2946	2844	3796	3491	3369
		75/65	461	417	400	1652	1495	1433	2690	2435	2333	3187	2885	2764
		65/55	374	330	313	1339	1184	1122	2180	1928	1827	2584	2284	2165
		50/40	287	244	226	1029	876	809	1676	1426	1317	1986	1690	1560
	1500	length L (mm)			length L (mm)			length L (mm)			length L (mm)			
		85/75	692	636	614	2480	2281	2201	4038	3714	3584	4785	4400	4247
		75/65	581	526	504	2082	1884	1806	3390	3069	2940	4017	3636	3484
		65/55	471	416	394	1688	1492	1414	2748	2430	2303	3256	2879	2728
		50/40	362	308	284	1297	1104	1019	2113	1798	1660	2503	2130	1967
1750	length L (mm)			length L (mm)			length L (mm)			length L (mm)				
	85/75	835	768	741	2992	2752	2656	4873	4481	4325	5773	5309	5124	
	75/65	701	634	608	2512	2274	2179	4091	3703	3548	4847	4387	4204	
	65/55	568	502	476	2036	1800	1706	3316	2932	2778	3929	3474	3292	
	50/40	437	372	343	1565	1332	1230	2549	2169	2003	3021	2571	2373	
2000	length L (mm)			length L (mm)			length L (mm)			length L (mm)				
	85/75	978	899	868	3505	3223	3111	5707	5248	5065	6762	6219	6002	
	75/65	821	743	712	2942	2663	2552	4792	4337	4155	5677	5138	4924	
	65/55	665	588	557	2385	2108	1998	3884	3434	3254	4602	4068	3856	
	50/40	511	435	402	1834	1560	1440	2986	2541	2346	3538	3011	2779	

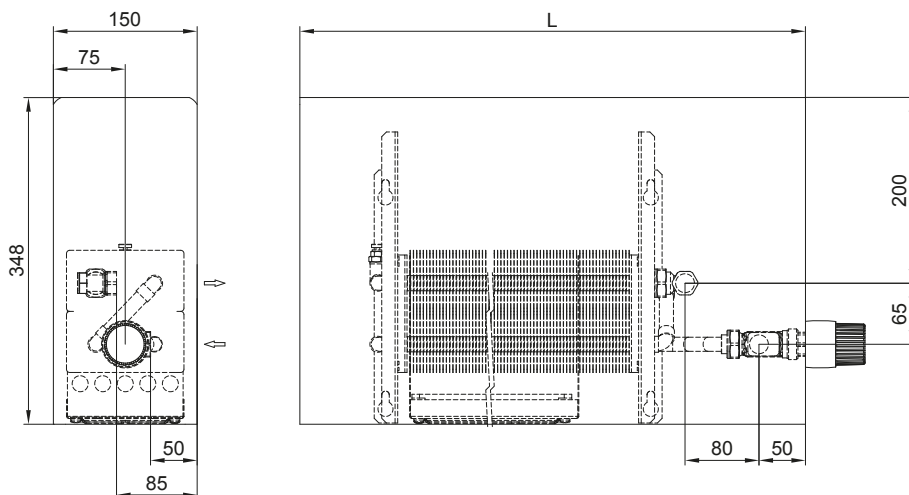
# NKF 2

**Most powerful wall-mounted convector with a fan.**

Suitable for low-temperature systems.



connection diagram



## CHARACTERISTICS

- high forced convection output
- heating unit with short response time
- heating also when the fan is off
- low electricity consumption
- safe 12V DC voltage
- easy operation

## DIMENSIONS

width	150 mm
design height	348 mm
length	900 to 2000 mm
connection	G½"

## COLOR DESIGN

silver / grille: silver  
 light bronze / grille: light bronze  
 dark bronze / grille: dark bronze  
 painted RAL 9016 semi-glossy (white) /  
 grille: silver

**CAUTION:** The decorative convector grille must not be exposed to weight load or covered.

Recommended control  
 EB-A, EB-B or EB-C

## ELECTRIC INPUT FOR FANS

length	input power
900	5 VA
1000	6 VA
1250	8 VA
1500	10 VA
1750	12 VA
2000	14 VA





HEAT OUTPUT Q [W]

		stage 0 natural convection			stage 1 minimum speed			stage 2 medium speed			stage 3 maximum speed		
		air temperature $t_A$			air temperature $t_A$			air temperature $t_A$			air temperature $t_A$		
		15	20	22	15	20	22	15	20	22	15	20	22
mean water temperature $t_w$		length L (mm)		<b>900</b>	length L (mm)		<b>900</b>	length L (mm)		<b>900</b>	length L (mm)		<b>900</b>
	85/75	549	504	487	1988	1828	1764	2524	2321	2240	2957	2719	2625
	75/65	460	<b>417</b>	399	1669	<b>1510</b>	1447	2119	<b>1918</b>	1837	2483	<b>2247</b>	2153
	65/55	373	330	313	1353	1196	1133	1717	1518	1439	2012	1778	1685
	50/40	287	244	225	1040	885	817	1320	1123	1037	1546	1316	1215
		15	20	22	15	20	22	15	20	22	15	20	22
		length L (mm)		<b>1000</b>	length L (mm)		<b>1000</b>	length L (mm)		<b>1000</b>	length L (mm)		<b>1000</b>
	85/75	637	586	565	2309	2123	2049	2931	2695	2601	3434	3158	3048
	75/65	535	<b>484</b>	464	1938	<b>1754</b>	1681	2461	<b>2227</b>	2134	2883	<b>2609</b>	2500
	65/55	433	383	363	1571	1388	1316	1994	1763	1671	2336	2065	1957
	50/40	333	283	262	1207	1027	948	1533	1304	1204	1796	1528	1411
		15	20	22	15	20	22	15	20	22	15	20	22
		length L (mm)		<b>1250</b>	length L (mm)		<b>1250</b>	length L (mm)		<b>1250</b>	length L (mm)		<b>1250</b>
	85/75	858	789	762	3110	2860	2760	3949	3631	3505	4627	4255	4106
	75/65	720	<b>652</b>	625	2611	<b>2363</b>	2264	3315	<b>3000</b>	2874	3884	<b>3515</b>	3368
	65/55	584	516	489	2116	1871	1773	2687	2375	2251	3148	2782	2637
	50/40	449	382	352	1626	1384	1278	2065	1757	1622	2419	2059	1900
		15	20	22	15	20	22	15	20	22	15	20	22
		length L (mm)		<b>1500</b>	length L (mm)		<b>1500</b>	length L (mm)		<b>1500</b>	length L (mm)		<b>1500</b>
	85/75	1079	993	958	3912	3597	3472	4966	4567	4408	5819	5351	5164
75/65	906	<b>820</b>	786	3284	<b>2972</b>	2848	4169	<b>3773</b>	3615	4885	<b>4421</b>	4236	
65/55	734	649	615	2662	2353	2230	3379	2987	2831	3959	3500	3317	
50/40	564	480	443	2046	1741	1607	2597	2210	2040	3043	2589	2390	
	15	20	22	15	20	22	15	20	22	15	20	22	
	length L (mm)		<b>1750</b>	length L (mm)		<b>1750</b>	length L (mm)		<b>1750</b>	length L (mm)		<b>1750</b>	
85/75	1301	1196	1154	4713	4334	4183	5984	5503	5311	7011	6448	6223	
75/65	1092	<b>988</b>	947	3957	<b>3581</b>	3431	5024	<b>4546</b>	4356	5886	<b>5327</b>	5104	
65/55	885	782	741	3207	2835	2686	4071	3599	3411	4770	4217	3996	
50/40	680	579	534	2465	2097	1936	3129	2663	2458	3666	3120	2880	
	15	20	22	15	20	22	15	20	22	15	20	22	
	length L (mm)		<b>2000</b>	length L (mm)		<b>2000</b>	length L (mm)		<b>2000</b>	length L (mm)		<b>2000</b>	
85/75	1522	1399	1351	5515	5072	4895	7002	6439	6214	8204	7544	7281	
75/65	1277	<b>1156</b>	1108	4630	<b>4190</b>	4015	5878	<b>5320</b>	5097	6887	<b>6233</b>	5972	
65/55	1035	915	867	3752	3317	3143	4764	4211	3991	5582	4934	4676	
50/40	796	677	625	2884	2454	2265	3661	3116	2876	4290	3650	3370	



# NKF PTG

Convector equipped with a thermoelectric generator without the need of a power supply.

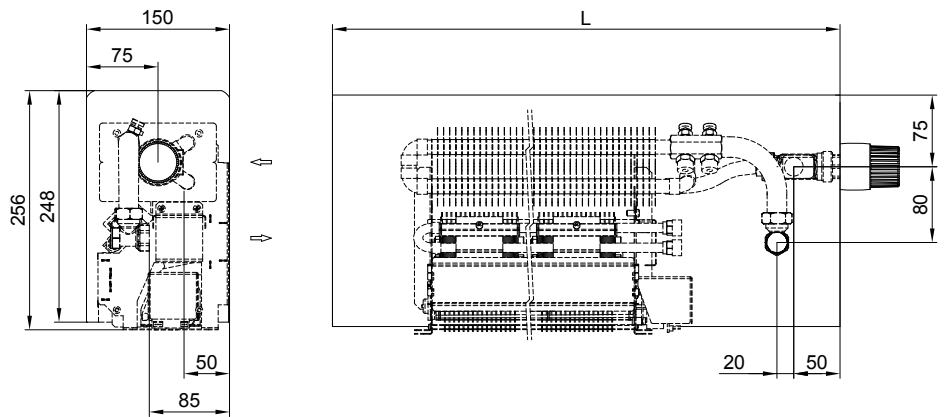
Suitable for interior applications where no power supply is available. It is the most efficient convector in terms of power consumption.



connection diagram

## HEAT OUTPUT Q [W]

		air temperature $t_a$				
		15	20	22		
mean water temperature $t_w$	85/75	length L (mm)	1000			
		15	1 610	1 503	1 460	
		20	1 395	1 288	1 245	
	75/65	15	1 108	1 007	—	
		65/55	15	2 098	1 958	1 902
			20	1 818	1 678	1 622
	22		1 447	1 315	—	
	1500	15	2 659	2 482	2 411	
		20	2 304	2 127	2 056	
		22	1 836	1 669	—	
	1750	15	3 132	2 923	2 839	
		20	2 714	2 505	2 422	
22		2 158	1 962	—		
2000	15	3 572	3 334	3 239		
	20	3 096	2 858	2 763		
	22	2 465	2 241	—		



## CHARACTERISTICS

- high forced convection output
- short response time
- zero electric input
- silent operation

## COLOR DESIGN

silver / grille: silver  
 light bronze / grille: light bronze  
 dark bronze / grille: dark bronze  
 painted RAL 9016 semi-glossy (white) / grille: silver

## DIMENSIONS

width	150 mm
design height	256 mm
length	900 to 2000 mm
connection	G½"

**CAUTION:** The decorative convector grille must not be exposed to weight load or covered.

# FREE-STANDING CONVECTORS







SUF 1

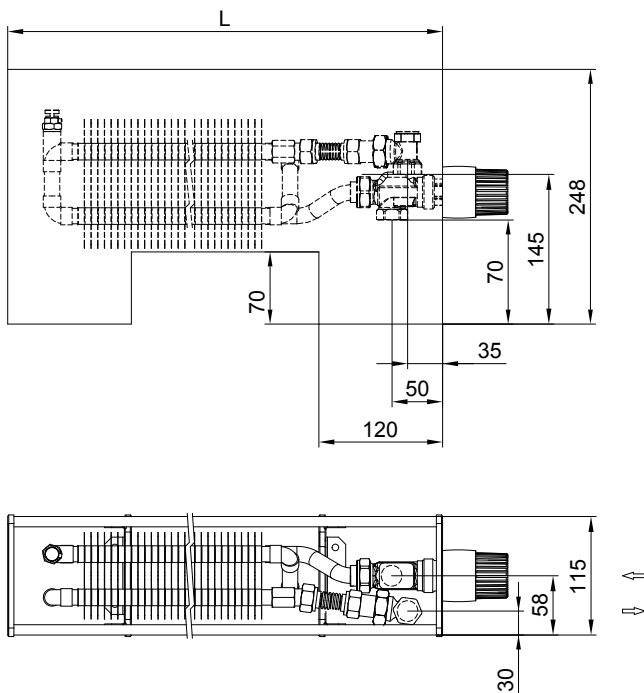


Narrowest free-standing convector  
with natural convection.

## HEAT OUTPUT Q [W]

	air temperature $t_a$			
	15	20	22	
mean water temperature $t_w$	length L (mm) <b>900</b>			
	85/75	671	601	573
	75/65	533	<b>467</b>	442
	65/55	404	344	320
	50/40	231	180	160
	15	20	22	
	length L (mm) <b>1000</b>			
	85/75	764	685	653
	75/65	607	<b>533</b>	504
	65/55	461	392	365
	50/40	264	205	183
	15	20	22	
	length L (mm) <b>1250</b>			
	85/75	999	895	854
	75/65	794	<b>696</b>	658
	65/55	602	512	477
50/40	345	268	239	
15	20	22		
length L (mm) <b>1500</b>				
85/75	1 233	1 105	1 054	
75/65	980	<b>859</b>	813	
65/55	743	632	589	
50/40	425	331	295	
15	20	22		
length L (mm) <b>1750</b>				
85/75	1 468	1 315	1 255	
75/65	1 166	<b>1 023</b>	967	
65/55	885	752	701	
50/40	506	394	351	
15	20	22		
length L (mm) <b>2000</b>				
85/75	1 702	1 525	1 455	
75/65	1 353	<b>1 186</b>	1 121	
65/55	1 026	873	813	
50/40	587	457	407	

connection diagram



## CHARACTERISTICS

- high output
- short response time

## DIMENSIONS

width	115 mm
design height	248 mm
length	900 to 2000 mm
connection	G½"

## COLOR DESIGN

silver / grille: silver  
 light bronze / grille: light bronze  
 dark bronze / grille: dark bronze  
 painted RAL 9016 semi-glossy (white) /  
 grille: silver

**CAUTION:** The decorative convector grille must not be exposed to weight load or covered.

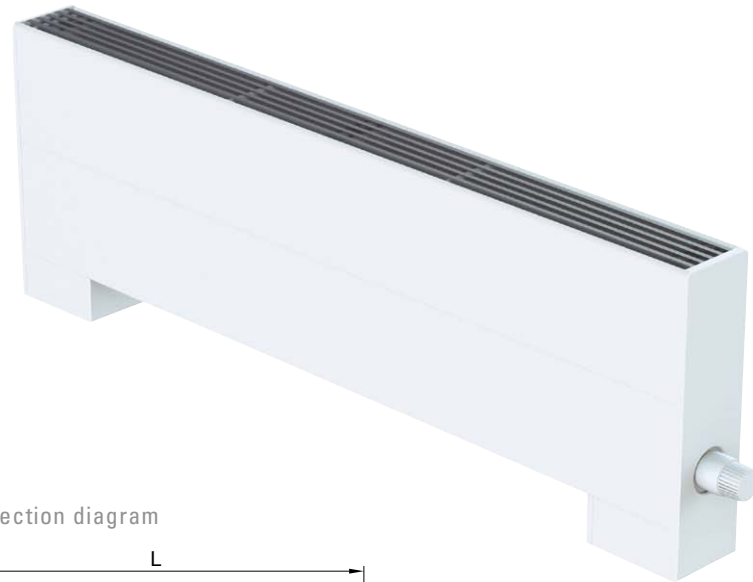


# SUF 2

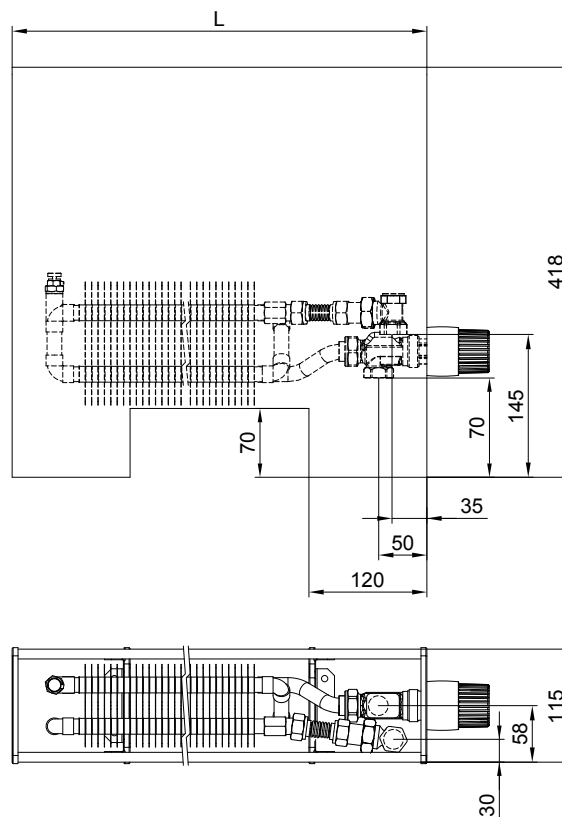
Narrowest free-standing convector with natural convection with higher output.

## HEAT OUTPUT Q [W]

		air temperature $t_a$		
		15	20	22
mean water temperature $t_w$		length L (mm)		<b>900</b>
	85/75	858	768	733
	75/65	681	<b>598</b>	565
	65/55	517	440	410
	50/40	296	230	205
		15	20	22
		length L (mm)		<b>1000</b>
	85/75	977	876	836
	75/65	777	<b>681</b>	644
	65/55	589	501	467
	50/40	337	262	234
		15	20	22
		length L (mm)		<b>1250</b>
	85/75	1 277	1 144	1 092
	75/65	1 015	<b>890</b>	842
	65/55	770	655	610
50/40	441	343	306	
	15	20	22	
	length L (mm)		<b>1500</b>	
85/75	1 577	1 413	1 348	
75/65	1 253	<b>1 099</b>	1 039	
65/55	951	808	753	
50/40	544	423	377	
	15	20	22	
	length L (mm)		<b>1750</b>	
85/75	1 877	1 681	1 605	
75/65	1 491	<b>1 308</b>	1 237	
65/55	1 131	962	897	
50/40	648	504	449	
	15	20	22	
	length L (mm)		<b>2000</b>	
85/75	2 177	1 950	1 861	
75/65	1 730	<b>1 517</b>	1 434	
65/55	1 312	1 116	1 040	
50/40	751	584	521	



connection diagram



## CHARACTERISTICS

- very high output
- short response time

## COLOR DESIGN

silver / grille: silver  
 light bronze / grille: light bronze  
 dark bronze / grille: dark bronze  
 painted RAL 9016 semi-glossy (white) / grille: silver

## DIMENSIONS

width	115 mm
design height	418 mm
length	900 to 2000 mm
connection	G½"

**CAUTION:** The decorative convector grille must not be exposed to weight load or covered.





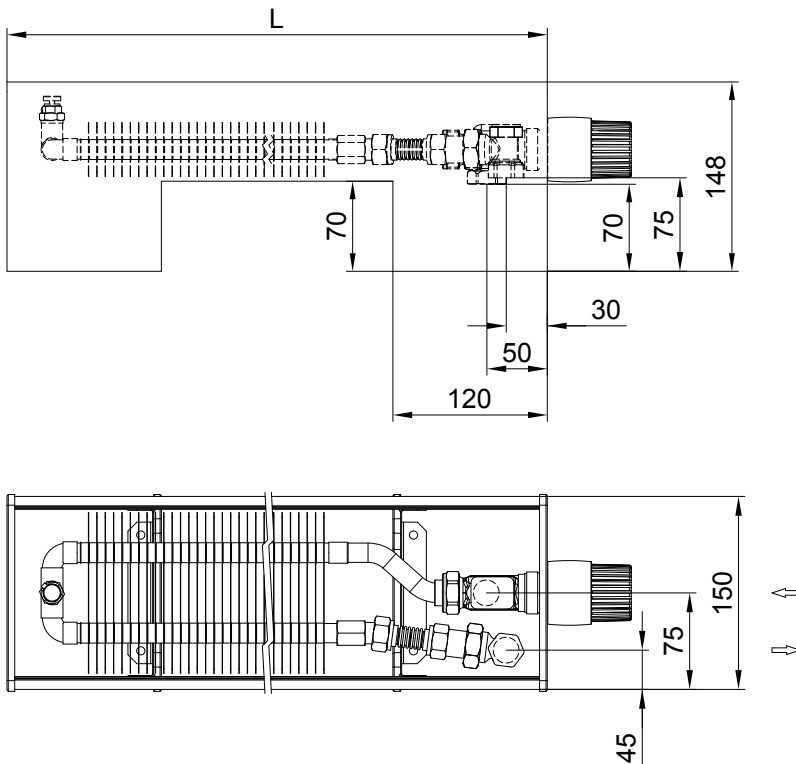
SPF 0



Lowest free-standing convector without fan.

## HEAT OUTPUT Q [W]

connection diagram



## CHARACTERISTICS

- high output
- short response time

## DIMENSIONS

width	150 mm
design height	148 mm
length	900 to 2000 mm
connection	G½"

## COLOR DESIGN

silver / grille: silver  
 light bronze / grille: light bronze  
 dark bronze / grille: dark bronze  
 painted RAL 9016 semi-glossy (white) /  
 grille: silver

**CAUTION:** The decorative convector grille must not be exposed to weight load or covered.

	air temperature $t_a$			
	15	20	22	
mean water temperature $t_w$	length L (mm) <b>900</b>			
	85/75	456	412	395
	75/65	370	328	312
	65/55	288	248	233
	50/40	173	138	124
	length L (mm) <b>1000</b>			
	85/75	520	470	451
	75/65	422	374	356
	65/55	328	283	266
	50/40	198	157	142
	length L (mm) <b>1250</b>			
	85/75	679	614	589
75/65	551	489	465	
65/55	429	370	347	
50/40	258	206	185	
length L (mm) <b>1500</b>				
85/75	838	759	727	
75/65	680	604	574	
65/55	529	457	429	
50/40	319	254	229	
length L (mm) <b>1750</b>				
85/75	998	903	865	
75/65	810	719	683	
65/55	630	544	510	
50/40	380	302	272	
length L (mm) <b>2000</b>				
85/75	1157	1047	1004	
75/65	939	834	792	
65/55	731	631	592	
50/40	440	351	316	

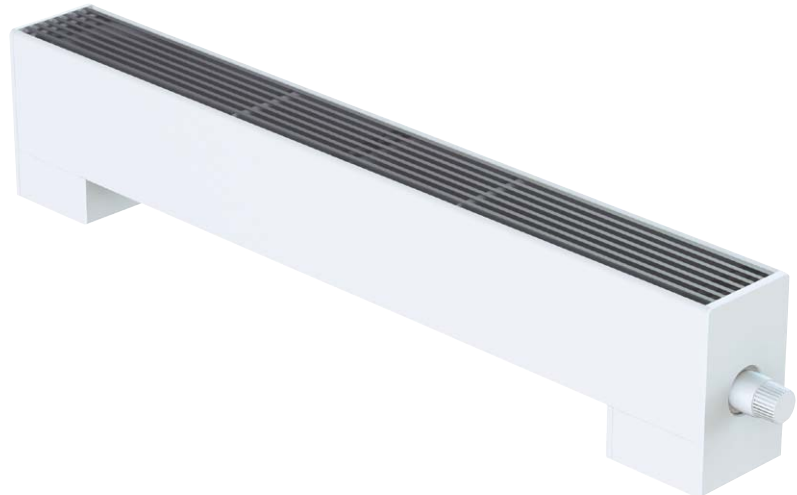


# SPF 1

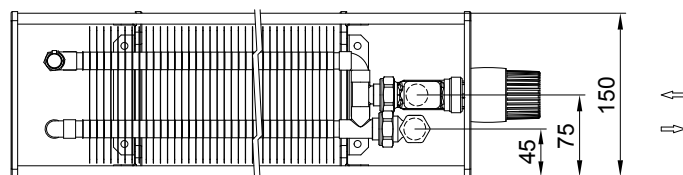
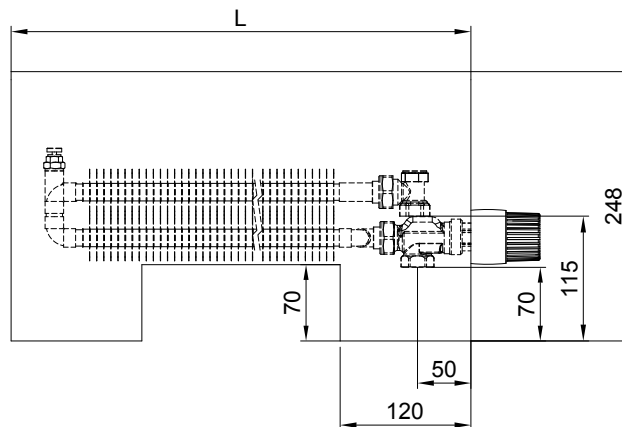
Standard free-standing convector without fan with width 150 mm.

## HEAT OUTPUT Q [W]

		air temperature $t_a$		
		15	20	22
mean water temperature $t_w$		length L (mm)		<b>900</b>
	85/75	839	751	717
	75/65	666	<b>584</b>	552
	65/55	505	429	400
	50/40	288	224	200
		15	20	22
		length L (mm)		<b>1000</b>
	85/75	957	857	818
	75/65	760	<b>666</b>	630
	65/55	576	489	456
	50/40	329	256	228
		15	20	22
		length L (mm)		<b>1250</b>
	85/75	1 253	1 122	1 070
	75/65	995	<b>872</b>	824
	65/55	754	641	597
	50/40	430	335	298
		15	20	22
		length L (mm)		<b>1500</b>
	85/75	1 548	1 386	1 323
75/65	1 229	<b>1 077</b>	1 018	
65/55	931	792	737	
50/40	532	414	369	
	15	20	22	
	length L (mm)		<b>1750</b>	
85/75	1 844	1 651	1 575	
75/65	1 464	<b>1 283</b>	1 213	
65/55	1 109	943	878	
50/40	633	492	439	
	15	20	22	
	length L (mm)		<b>2000</b>	
85/75	2 139	1 915	1 827	
75/65	1 698	<b>1 489</b>	1 407	
65/55	1 287	1 094	1 019	
50/40	735	571	509	



connection diagram



## CHARACTERISTICS

- high output
- short response time

## COLOR DESIGN

silver / grille: silver  
 light bronze / grille: light bronze  
 dark bronze / grille: dark bronze  
 painted RAL 9016 semi-glossy (white) /  
 grille: silver

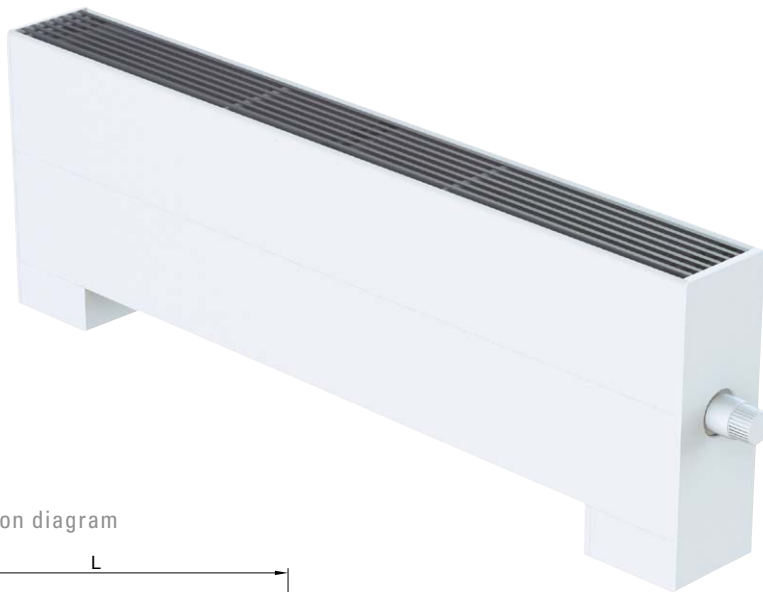
## DIMENSIONS

width	150 mm
design height	248 mm
length	900 to 2000 mm
connection	G½"

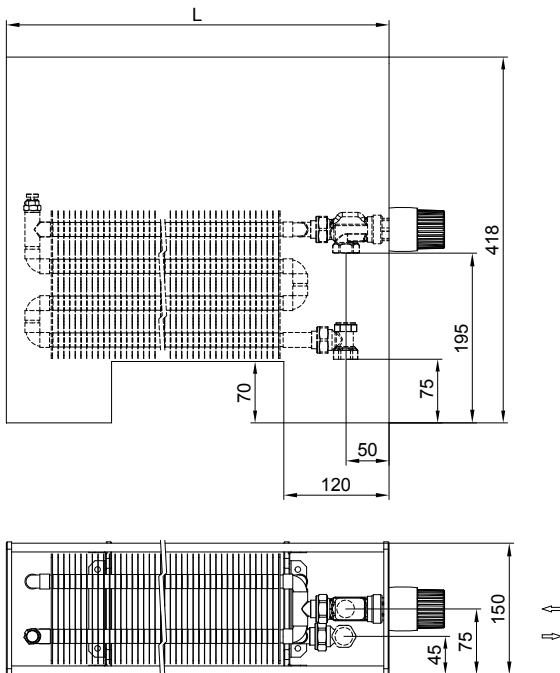
**CAUTION:** The decorative convector grille must not be exposed to weight load or covered.



SPF 2



connection diagram



## CHARACTERISTICS

- high output
- short response time

## DIMENSIONS

width	150 mm
design height	418 mm
length	900 to 2000 mm
connection	G½"

## COLOR DESIGN

silver / grille: silver  
 light bronze / grille: light bronze  
 dark bronze / grille: dark bronze  
 painted RAL 9016 semi-glossy (white) /  
 grille: silver

**CAUTION:** The decorative convector grille must not be exposed to weight load or covered.

Standard free-standing convector without fan with higher output with width 150 mm.

## HEAT OUTPUT Q [W]

	air temperature $t_a$		
	15	20	22
	<b>length L (mm) 900</b>		
85/75	1 307	1 169	1 116
75/65	1 036	<b>907</b>	857
65/55	784	665	619
50/40	446	346	308
	15	20	22
	<b>length L (mm) 1000</b>		
85/75	1 490	1 333	1 272
75/65	1 181	<b>1 034</b>	977
65/55	893	758	706
50/40	508	394	351
	15	20	22
	<b>length L (mm) 1250</b>		
85/75	1 947	1 742	1 662
75/65	1 543	<b>1 352</b>	1 277
65/55	1 167	991	923
50/40	664	515	459
	15	20	22
	<b>length L (mm) 1500</b>		
85/75	2 404	2 151	2 052
75/65	1 906	<b>1 669</b>	1 577
65/55	1 441	1 224	1 139
50/40	820	636	567
	15	20	22
	<b>length L (mm) 1750</b>		
85/75	2 861	2 560	2 442
75/65	2 268	<b>1 986</b>	1 877
65/55	1 715	1 456	1 356
50/40	976	757	674
	15	20	22
	<b>length L (mm) 2000</b>		
85/75	3 318	2 968	2 832
75/65	2 630	<b>2 303</b>	2 176
65/55	1 989	1 689	1 572
50/40	1 132	878	782

mean water temperature  $t_w$



# SMF 1

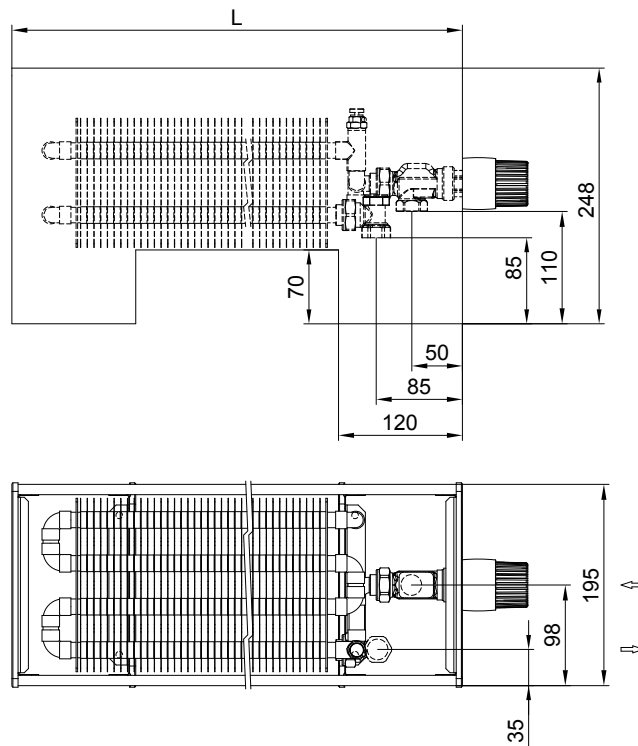
Free-standing convector with height 248 mm and width 195 mm.

## HEAT OUTPUT Q [W]

		air temperature $t_A$		
		15	20	22
mean water temperature $t_w$		<b>length L (mm)</b>		<b>900</b>
	85/75	1303	1159	1103
	75/65	1021	888	837
	65/55	762	641	595
	50/40	528	422	377
		15	20	22
		<b>length L (mm)</b>		<b>1000</b>
	85/75	1491	1327	1263
	75/65	1169	1017	958
	65/55	872	734	681
	50/40	604	483	432
		15	20	22
		<b>length L (mm)</b>		<b>1250</b>
	85/75	1963	1747	1663
	75/65	1539	1339	1261
	65/55	1148	967	897
	50/40	796	635	568
		15	20	22
		<b>length L (mm)</b>		<b>1500</b>
	85/75	2435	2167	2062
75/65	1909	1661	1565	
65/55	1424	1199	1113	
50/40	987	788	705	
	15	20	22	
	<b>length L (mm)</b>		<b>1750</b>	
85/75	2907	2587	2462	
75/65	2278	1983	1868	
65/55	1700	1432	1328	
50/40	1178	941	841	
	15	20	22	
	<b>length L (mm)</b>		<b>2000</b>	
85/75	3379	3007	2862	
75/65	2648	2304	2171	
65/55	1976	1664	1544	
50/40	1369	1094	978	



connection diagram



## CHARACTERISTICS

- high output
- short response time

## COLOR DESIGN

silver / grille: silver  
 light bronze / grille: light bronze  
 dark bronze / grille: dark bronze  
 painted RAL 9016 semi-glossy (white) /  
 grille: silver

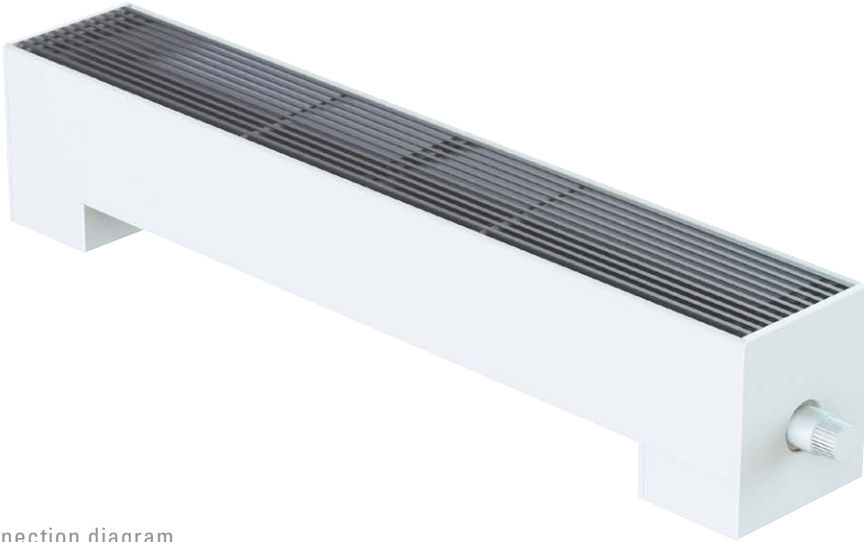
## DIMENSIONS

width	195 mm
design height	248 mm
length	900 to 2000 mm
connection	G½"

**CAUTION:** The decorative convector grille must not be exposed to weight load or covered.



SWF 1

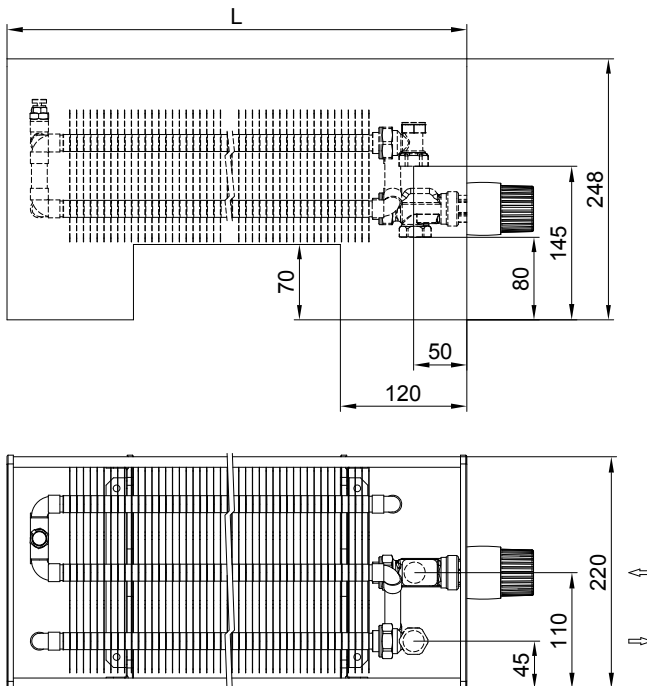


Powerful free-standing convector without fan with height 248 mm.

## HEAT OUTPUT Q [W]

	air temperature $t_a$		
	15	20	22
	<b>length L (mm) 900</b>		
85/75	1 533	1 369	1 305
75/65	1 210	<b>1 057</b>	998
65/55	910	770	716
50/40	512	396	352
	15	20	22
	<b>length L (mm) 1000</b>		
85/75	1 748	1 560	1 487
75/65	1 379	<b>1 205</b>	1 137
65/55	1 038	878	817
50/40	584	451	401
	15	20	22
	<b>length L (mm) 1250</b>		
85/75	2 284	2 039	1 943
75/65	1 802	<b>1 575</b>	1 486
65/55	1 356	1 148	1 067
50/40	763	590	524
	15	20	22
	<b>length L (mm) 1500</b>		
85/75	2 820	2 517	2 399
75/65	2 225	<b>1 944</b>	1 835
65/55	1 675	1 417	1 318
50/40	943	728	647
	15	20	22
	<b>length L (mm) 1750</b>		
85/75	3 356	2 996	2 856
75/65	2 648	<b>2 314</b>	2 184
65/55	1 993	1 686	1 568
50/40	1 122	866	770
	15	20	22
	<b>length L (mm) 2000</b>		
85/75	3 892	3 475	3 312
75/65	3 072	<b>2 683</b>	2 533
65/55	2 311	1 956	1 819
50/40	1 301	1 005	893

connection diagram



## CHARACTERISTICS

- very high natural convection output
- short response time

## DIMENSIONS

width	220 mm
design height	248 mm
length	900 to 2000 mm
connection	G½"

## COLOR DESIGN

silver / grille: silver  
 light bronze / grille: light bronze  
 dark bronze / grille: dark bronze  
 painted RAL 9016 semi-glossy (white) /  
 grille: silver

**CAUTION:** The decorative convector grille must not be exposed to weight load or covered.



# SWF 2

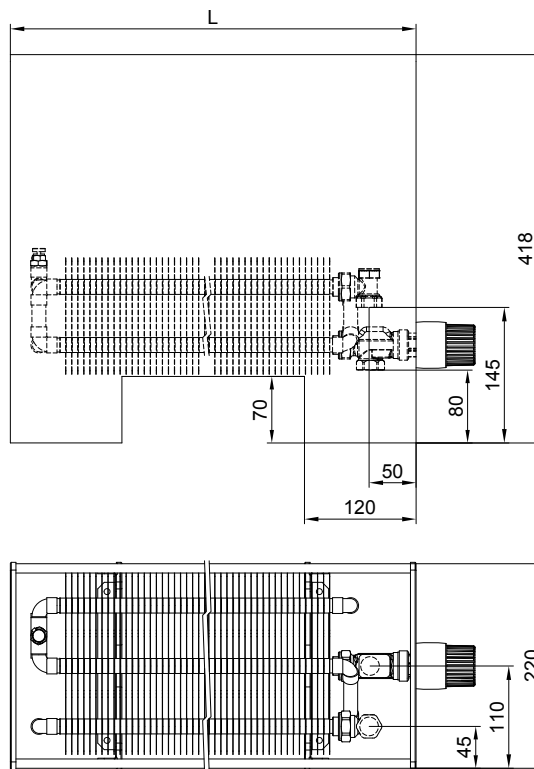
Powerful free-standing convector without fan with height 418 mm.



## HEAT OUTPUT Q [W]

		air temperature $t_A$		
		15	20	22
		<b>length L (mm)</b>		<b>900</b>
mean water temperature $t_w$	85/75	1 857	1 663	1 588
	75/65	1 476	1 295	1 224
	65/55	1 120	952	888
	50/40	641	499	445
		15	20	22
		<b>length L (mm)</b>		<b>1000</b>
mean water temperature $t_w$	85/75	2 117	1 896	1 810
	75/65	1 682	1 476	1 395
	65/55	1 277	1 086	1 012
	50/40	731	569	507
		15	20	22
		<b>length L (mm)</b>		<b>1250</b>
mean water temperature $t_w$	85/75	2 766	2 478	2 365
	75/65	2 198	1 928	1 823
	65/55	1 668	1 419	1 322
	50/40	955	743	663
		15	20	22
		<b>length L (mm)</b>		<b>1500</b>
mean water temperature $t_w$	85/75	3 415	3 059	2 920
	75/65	2 714	2 381	2 251
	65/55	2 060	1 752	1 632
	50/40	1 179	918	818
		15	20	22
		<b>length L (mm)</b>		<b>1750</b>
mean water temperature $t_w$	85/75	4 065	3 641	3 475
	75/65	3 230	2 833	2 679
	65/55	2 451	2 085	1 943
	50/40	1 404	1 092	974
		15	20	22
		<b>length L (mm)</b>		<b>2000</b>
mean water temperature $t_w$	85/75	4 714	4 222	4 030
	75/65	3 746	3 286	3 107
	65/55	2 843	2 418	2 253
	50/40	1 628	1 267	1 130
		15	20	22

connection diagram



## CHARACTERISTICS

- very high output
- short response time

## DIMENSIONS

width	220 mm
design height	418 mm
length	900 to 2000 mm
connection	G½"

## COLOR DESIGN

silver / grille: silver  
 light bronze / grille: light bronze  
 dark bronze / grille: dark bronze  
 painted RAL 9016 semi-glossy (white) /  
 grille: silver

**CAUTION:** The decorative convector grille must not be exposed to weight load or covered.



SWF 3

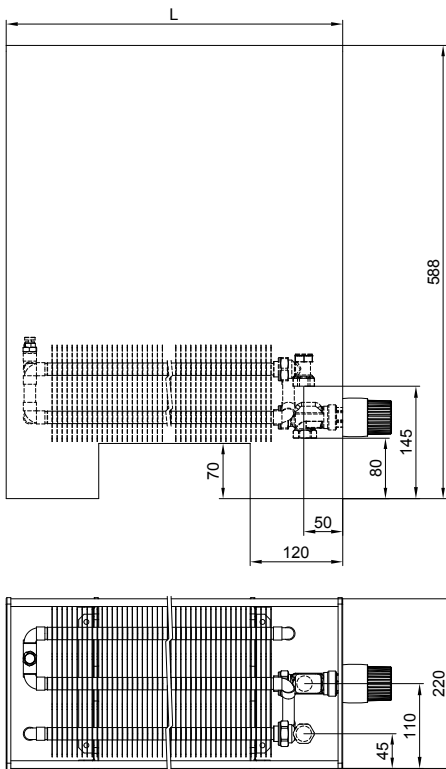


Most powerful free-standing convector with height 588 mm.

## HEAT OUTPUT Q [W]

	air temperature $t_a$			
	15	20	22	
mean water temperature $t_w$	length L (mm) <b>900</b>			
	85/75	2237	2003	1911
	75/65	1776	<b>1557</b>	1472
	65/55	1346	1144	1066
	50/40	951	769	692
	15 20 22			
	length L (mm) <b>1000</b>			
	85/75	2552	2285	2180
	75/65	2026	<b>1776</b>	1679
	65/55	1536	1305	1216
	50/40	1085	877	789
	15 20 22			
	length L (mm) <b>1250</b>			
	85/75	3340	2990	2853
	75/65	2652	<b>2325</b>	2197
	65/55	2010	1708	1591
50/40	1420	1148	1033	
15 20 22				
length L (mm) <b>1500</b>				
85/75	4127	3695	3526	
75/65	3277	<b>2873</b>	2715	
65/55	2484	2111	1966	
50/40	1755	1419	1277	
15 20 22				
length L (mm) <b>1750</b>				
85/75	4915	4401	4199	
75/65	3902	<b>3421</b>	3233	
65/55	2958	2514	2342	
50/40	2090	1690	1520	
15 20 22				
length L (mm) <b>2000</b>				
85/75	5703	5106	4872	
75/65	4528	<b>3969</b>	3752	
65/55	3432	2917	2717	
50/40	2425	1960	1764	

connection diagram



## CHARACTERISTICS

- very high natural convection output
- short response time

## DIMENSIONS

width	220 mm
design height	588 mm
length	900 to 2000 mm
connection	G½"

## COLOR DESIGN

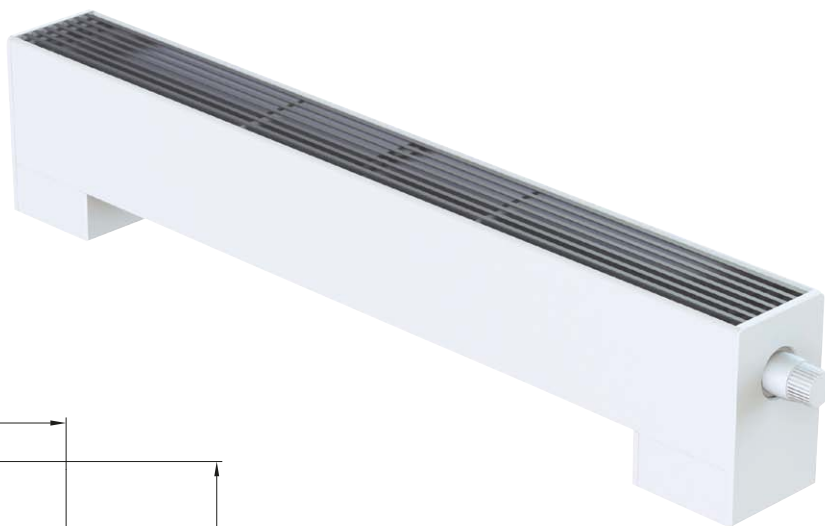
silver / grille: silver  
 light bronze / grille: light bronze  
 dark bronze / grille: dark bronze  
 painted RAL 9016 semi-glossy (white) /  
 grille: silver

**CAUTION:** The decorative convector grille must not be exposed to weight load or covered.

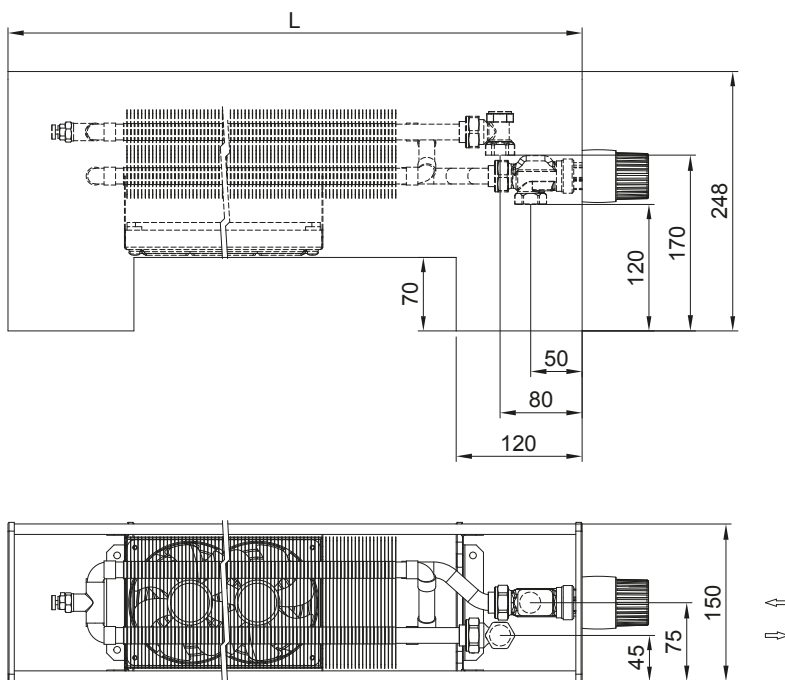
# SKF 1

**Lowest free-standing convector with a fan.**

Suitable for low-temperature systems.



connection diagram



## CHARACTERISTICS

- high forced convection output
- heating unit with short response time
- heating also when the fan is off
- low electricity consumption
- safe 12V DC voltage
- easy operation

## DIMENSIONS

width	150 mm
design height	248 mm
length	900 to 2000 mm
connection	G½"

## COLOR DESIGN

silver / grille: silver  
 light bronze / grille: light bronze  
 dark bronze / grille: dark bronze  
 painted RAL 9016 semi-glossy (white) /  
 grille: silver

**CAUTION:** The decorative convector grille must not be exposed to weight load or covered.

## ELECTRIC INPUT FOR FANS

length	input power
900	5 VA
1000	6 VA
1250	8 VA
1500	10 VA
1750	12 VA
2000	14 VA







HEAT OUTPUT Q [W]

		stage 0 natural convection			stage 1 minimum speed			stage 2 medium speed			stage 3 maximum speed			
		air temperature $t_a$			air temperature $t_a$			air temperature $t_a$			air temperature $t_a$			
		15	20	22	15	20	22	15	20	22	15	20	22	
mean water temperature $t_w$	900	length L (mm)			length L (mm)			length L (mm)			length L (mm)			
		85/75	349	321	310	1250	1150	1110	2036	1872	1807	2412	2218	2141
		75/65	293	265	254	1050	950	910	1709	1547	1482	2025	1833	1756
		65/55	237	210	199	851	752	713	1385	1225	1161	1642	1451	1375
		50/40	182	155	143	654	557	514	1065	906	837	1262	1074	991
	1000	length L (mm)			length L (mm)			length L (mm)			length L (mm)			
		85/75	406	373	360	1455	1338	1292	2370	2179	2103	2808	2582	2492
		75/65	341	308	296	1222	1106	1059	1989	1801	1725	2357	2133	2044
		65/55	276	244	231	990	875	830	1613	1426	1351	1911	1689	1601
		50/40	212	181	167	761	648	598	1240	1055	974	1469	1250	1154
	1250	length L (mm)			length L (mm)			length L (mm)			length L (mm)			
		85/75	549	505	487	1967	1809	1746	3204	2946	2844	3796	3491	3369
		75/65	461	417	400	1652	1495	1433	2690	2435	2333	3187	2885	2764
		65/55	374	330	313	1339	1184	1122	2180	1928	1827	2584	2284	2165
		50/40	287	244	226	1029	876	809	1676	1426	1317	1986	1690	1560
	1500	length L (mm)			length L (mm)			length L (mm)			length L (mm)			
		85/75	692	636	614	2480	2281	2201	4038	3714	3584	4785	4400	4247
		75/65	581	526	504	2082	1884	1806	3390	3069	2940	4017	3636	3484
		65/55	471	416	394	1688	1492	1414	2748	2430	2303	3256	2879	2728
		50/40	362	308	284	1297	1104	1019	2113	1798	1660	2503	2130	1967
1750	length L (mm)			length L (mm)			length L (mm)			length L (mm)				
	85/75	835	768	741	2992	2752	2656	4873	4481	4325	5773	5309	5124	
	75/65	701	634	608	2512	2274	2179	4091	3703	3548	4847	4387	4204	
	65/55	568	502	476	2036	1800	1706	3316	2932	2778	3929	3474	3292	
	50/40	437	372	343	1565	1332	1230	2549	2169	2003	3021	2571	2373	
2000	length L (mm)			length L (mm)			length L (mm)			length L (mm)				
	85/75	978	899	868	3505	3223	3111	5707	5248	5065	6762	6219	6002	
	75/65	821	743	712	2942	2663	2552	4792	4337	4155	5677	5138	4924	
	65/55	665	588	557	2385	2108	1998	3884	3434	3254	4602	4068	3856	
	50/40	511	435	402	1834	1560	1440	2986	2541	2346	3538	3011	2779	

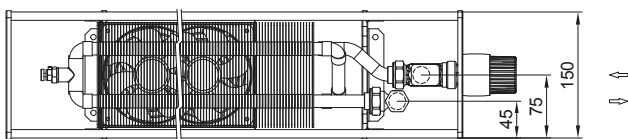
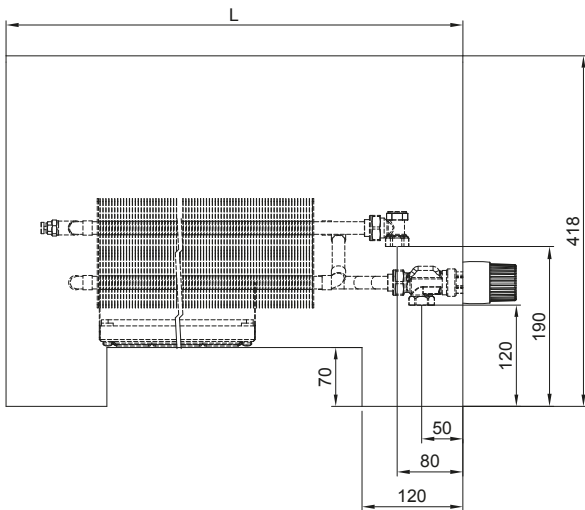
# SKF 2

**Most powerful free-standing convector with a fan.**

Suitable for low-temperature systems.



connection diagram



## CHARACTERISTICS

- high forced convection output
- heating unit with short response time
- heating also when the fan is off
- low electricity consumption
- safe 12V DC voltage
- easy operation

## DIMENSIONS

width	150 mm
design height	418 mm
length	900 to 2000 mm
connection	G½"

## COLOR DESIGN

silver / grille: silver  
 light bronze / grille: light bronze  
 dark bronze / grille: dark bronze  
 painted RAL 9016 semi-glossy (white) /  
 grille: silver

**CAUTION:** The decorative convector grille must not be exposed to weight load or covered.

## ELECTRIC INPUT FOR FANS

length	input power
900	5 VA
1000	6 VA
1250	8 VA
1500	10 VA
1750	12 VA
2000	14 VA





HEAT OUTPUT Q [W]

		stage 0 natural convection			stage 1 minimum speed			stage 2 medium speed			stage 3 maximum speed			
		air temperature $t_A$			air temperature $t_A$			air temperature $t_A$			air temperature $t_A$			
		15	20	22	15	20	22	15	20	22	15	20	22	
mean water temperature $t_w$	900	length L (mm)			length L (mm)			length L (mm)			length L (mm)			
		85/75	549	504	487	1988	1828	1764	2524	2321	2240	2957	2719	2625
		75/65	460	417	399	1669	1510	1447	2119	1918	1837	2483	2247	2153
		65/55	373	330	313	1353	1196	1133	1717	1518	1439	2012	1778	1685
		50/40	287	244	225	1040	885	817	1320	1123	1037	1546	1316	1215
	1000	length L (mm)			length L (mm)			length L (mm)			length L (mm)			
		85/75	637	586	565	2309	2123	2049	2931	2695	2601	3434	3158	3048
		75/65	535	484	464	1938	1754	1681	2461	2227	2134	2883	2609	2500
		65/55	433	383	363	1571	1388	1316	1994	1763	1671	2336	2065	1957
		50/40	333	283	262	1207	1027	948	1533	1304	1204	1796	1528	1411
	1250	length L (mm)			length L (mm)			length L (mm)			length L (mm)			
		85/75	858	789	762	3110	2860	2760	3949	3631	3505	4627	4255	4106
		75/65	720	652	625	2611	2363	2264	3315	3000	2874	3884	3515	3368
		65/55	584	516	489	2116	1871	1773	2687	2375	2251	3148	2782	2637
		50/40	449	382	352	1626	1384	1278	2065	1757	1622	2419	2059	1900
	1500	length L (mm)			length L (mm)			length L (mm)			length L (mm)			
		85/75	1079	993	958	3912	3597	3472	4966	4567	4408	5819	5351	5164
		75/65	906	820	786	3284	2972	2848	4169	3773	3615	4885	4421	4236
		65/55	734	649	615	2662	2353	2230	3379	2987	2831	3959	3500	3317
		50/40	564	480	443	2046	1741	1607	2597	2210	2040	3043	2589	2390
1750	length L (mm)			length L (mm)			length L (mm)			length L (mm)				
	85/75	1301	1196	1154	4713	4334	4183	5984	5503	5311	7011	6448	6223	
	75/65	1092	988	947	3957	3581	3431	5024	4546	4356	5886	5327	5104	
	65/55	885	782	741	3207	2835	2686	4071	3599	3411	4770	4217	3996	
	50/40	680	579	534	2465	2097	1936	3129	2663	2458	3666	3120	2880	
2000	length L (mm)			length L (mm)			length L (mm)			length L (mm)				
	85/75	1522	1399	1351	5515	5072	4895	7002	6439	6214	8204	7544	7281	
	75/65	1277	1156	1108	4630	4190	4015	5878	5320	5097	6887	6233	5972	
	65/55	1035	915	867	3752	3317	3143	4764	4211	3991	5582	4934	4676	
	50/40	796	677	625	2884	2454	2265	3661	3116	2876	4290	3650	3370	



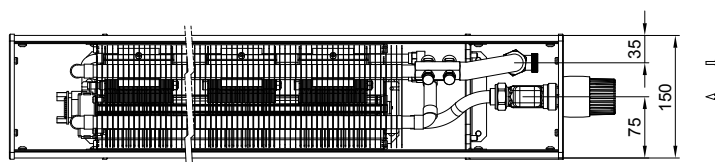
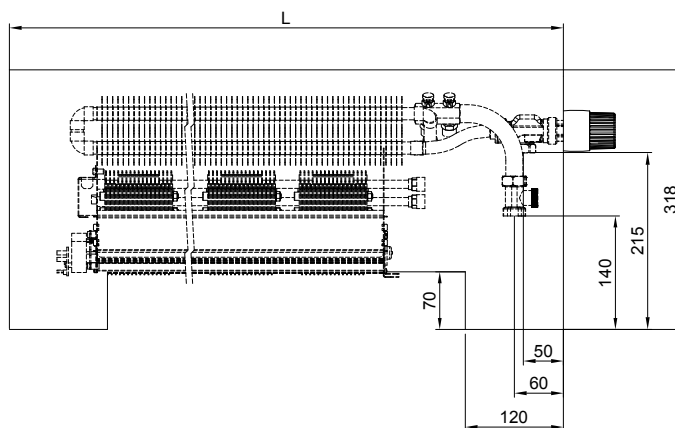
# SKF PTG

Convector equipped with a thermoelectric generator without the need of a power supply.

Suitable for interior applications where no power supply is available or with the requirement for the most efficient solution in terms of power consumption.



connection diagram



## HEAT OUTPUT Q [W]

		air temperature $t_A$			
		15	20	22	
		<b>length L (mm) 1000</b>			
mean water temperature $t_w$	85/75	1 610	1 503	1 460	
	75/65	1 395	<b>1 288</b>	1 245	
	65/55	1 108	1 007	—	
			15	20	22
			<b>length L (mm) 1250</b>		
	80	2 098	1 958	1 902	
	75/65	1 818	<b>1 678</b>	1 622	
	65/55	1 447	1 315	—	
			15	20	22
		<b>length L (mm) 1500</b>			
85/75	2 659	2 482	2 411		
75/65	2 304	<b>2 127</b>	2 056		
65/55	1 836	1 669	—		
		15	20	22	
		<b>length L (mm) 1750</b>			
85/75	3 132	2 923	2 839		
75/65	2 714	<b>2 505</b>	2 422		
65/55	2 158	1 962	—		
		15	20	22	
		<b>length L (mm) 2000</b>			
85/75	3 572	3 334	3 239		
75/65	3 096	<b>2 858</b>	2 763		
65/55	2 465	2 241	—		

## CHARACTERISTICS

- high forced convection output
- short response time
- zero electric input
- silent operation

## COLOR DESIGN

### ANODIZED

silver  
light bronze  
dark bronze

### PAINTED

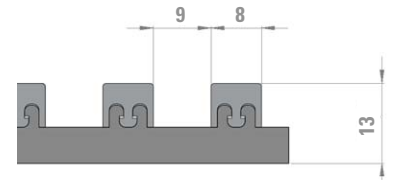
RAL 9016 semi-glossy  
(white)

## DIMENSIONS

width	150 mm
design height	318 mm
length	1000 to 2000 mm
connection	G½"

**CAUTION:** The decorative convector grille must not be exposed to weight load or covered.

# Grilles



## LONGITUDINAL – AL



dark bronze



light bronze

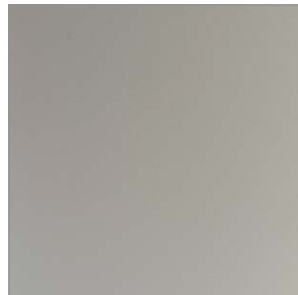


silver

# Color design of the convector body



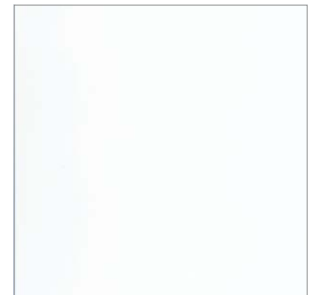
dark bronze



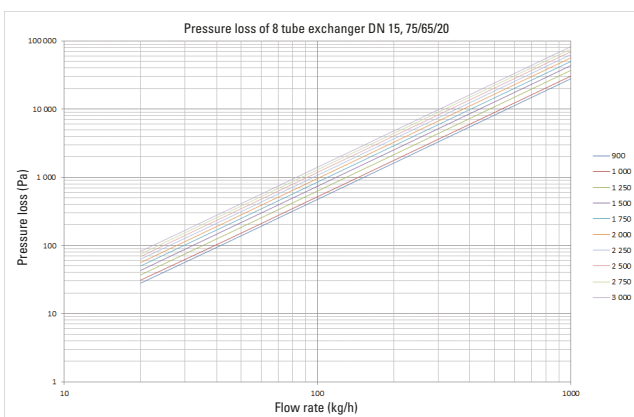
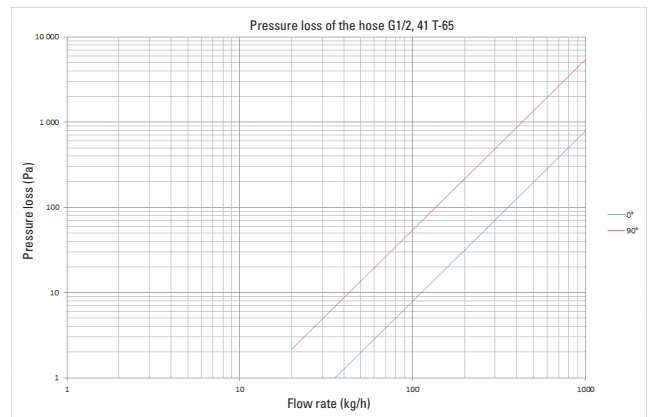
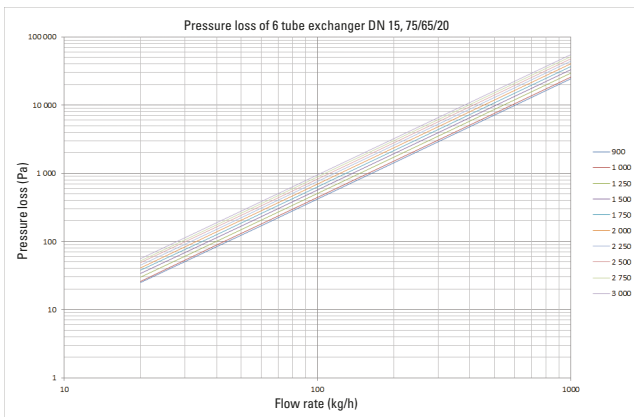
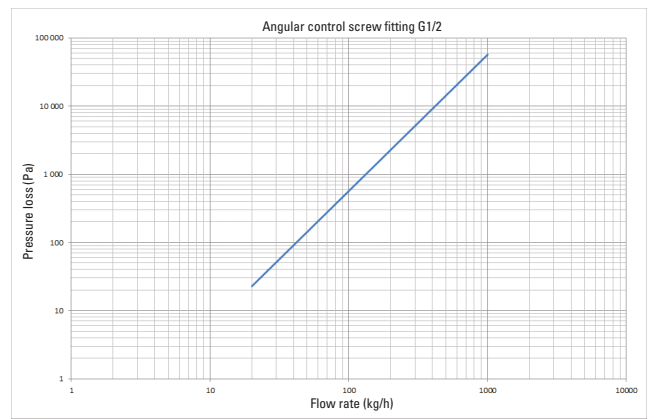
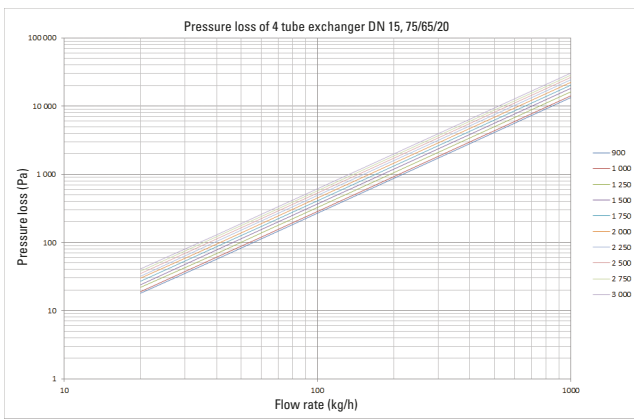
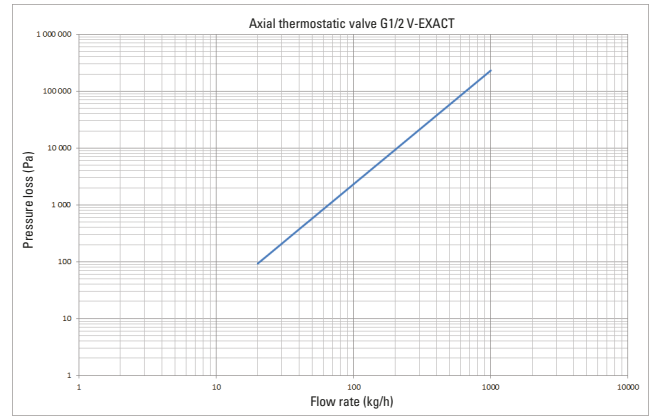
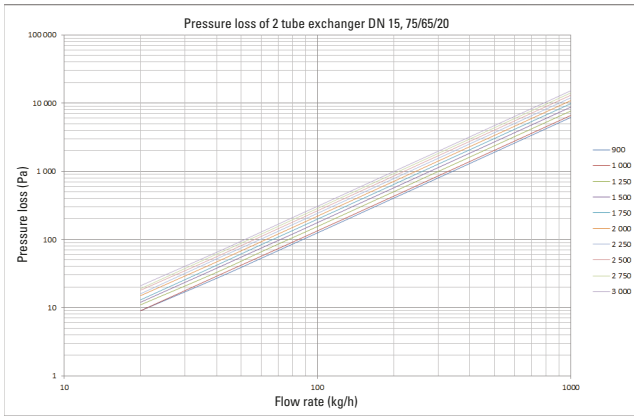
light bronze



silver

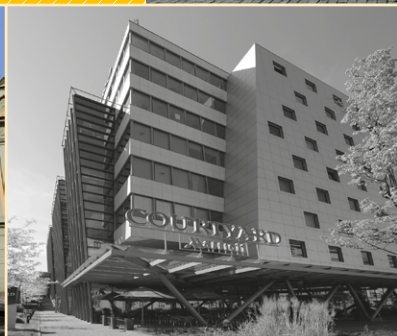
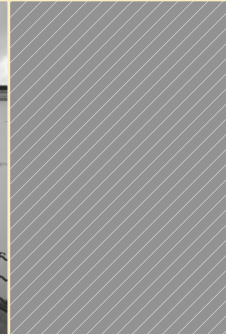
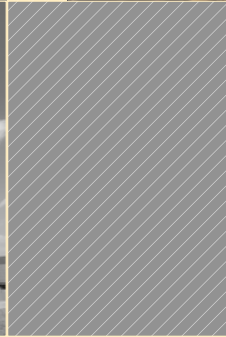


white



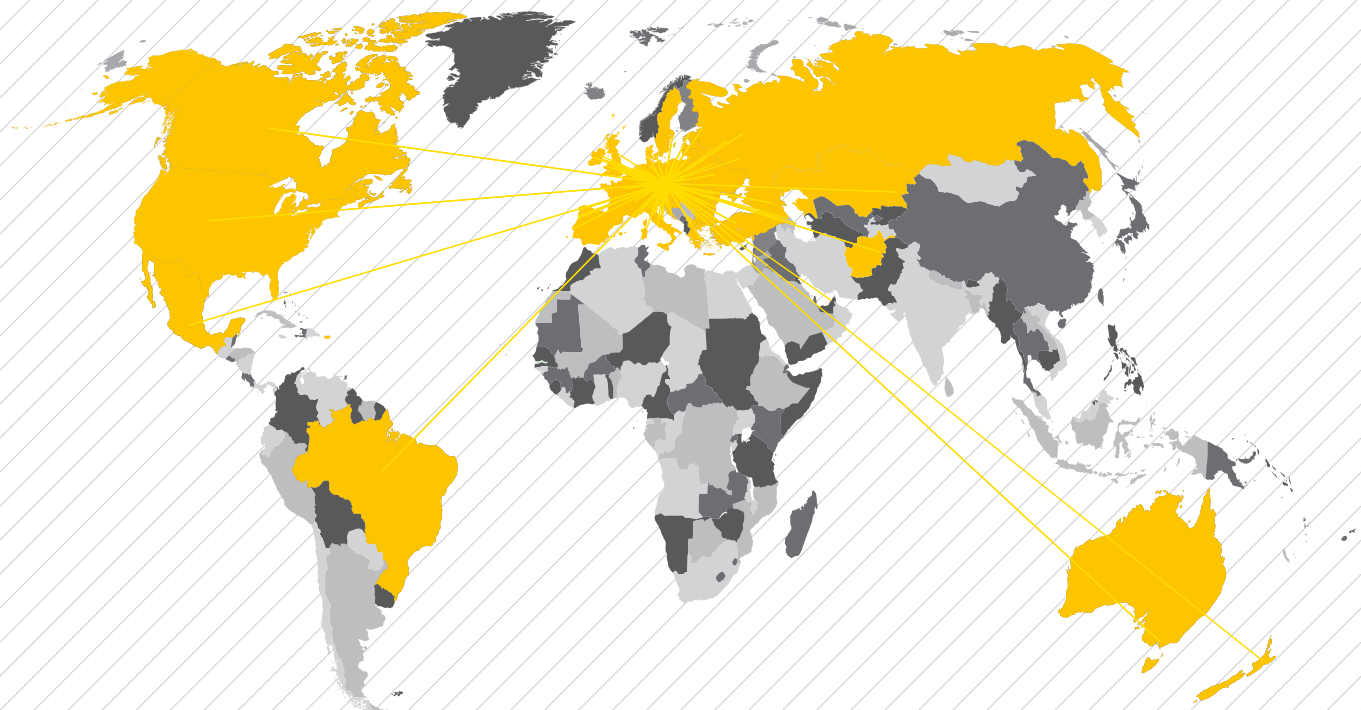
# REFERENCES

Convectors are suitable for all kinds of buildings.





●●● more than just heat



#### HEAD OFFICE

MINIB, a.s.  
Střešovická 465/49, 162 00 Praha 6  
Czech Republic

#### FOREIGN TRADE:

Phone: +420 220 180 809  
Cell Phone: +420 734 614 540  
Cell Phone: +420 734 700 736  
E-mail: [export@minib.cz](mailto:export@minib.cz), [www.minib.com](http://www.minib.com)

#### PRODUCTION

Manufacturing plant of MINIB, a.s.  
Býkev u Mělníka 84, 276 01 Býkev  
Czech Republic