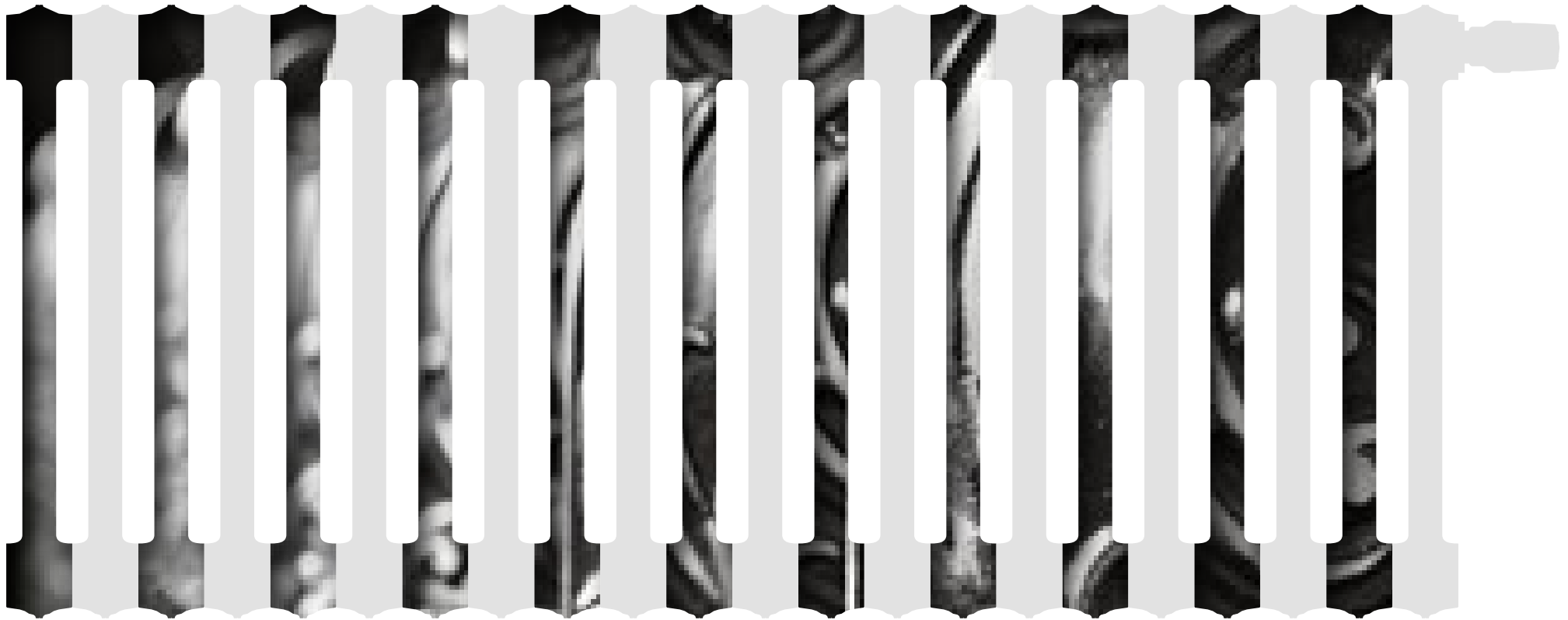
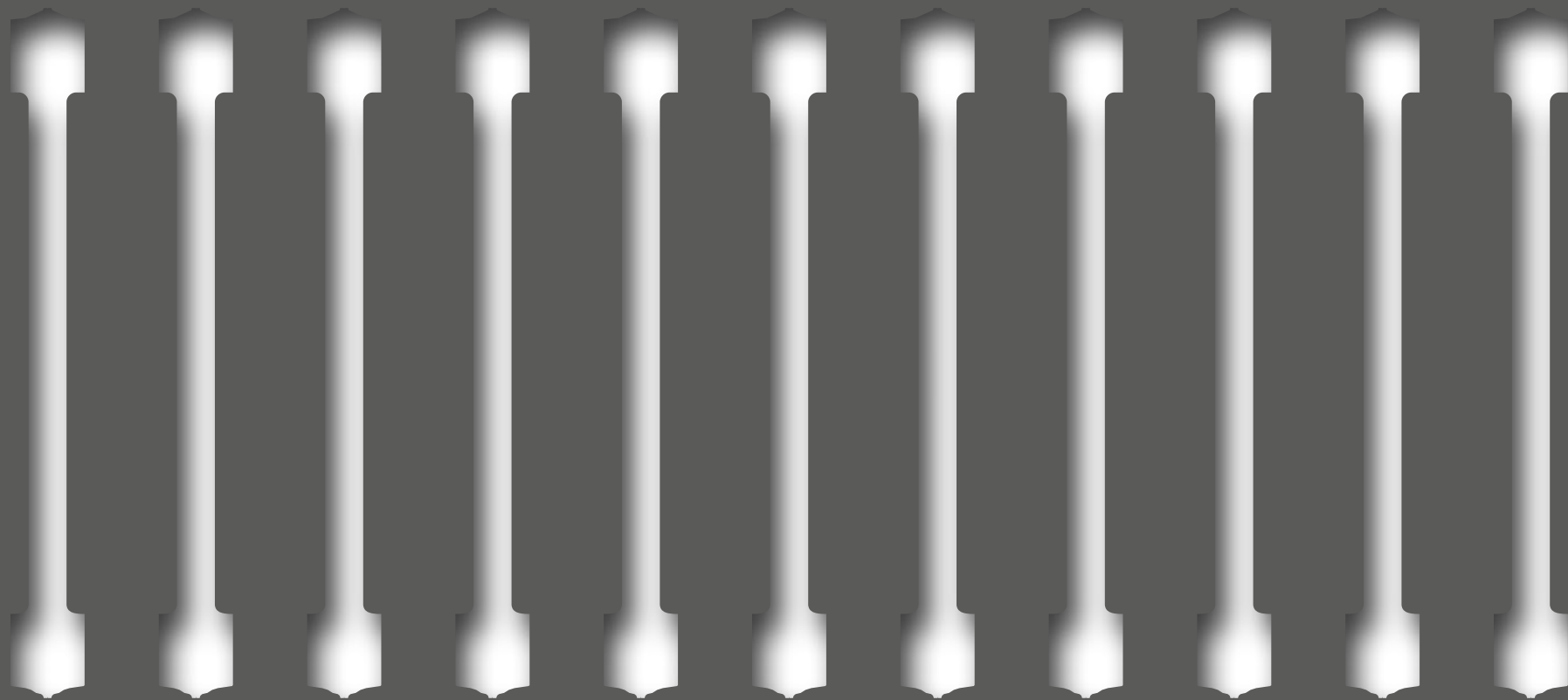


VIADRUS



CATALOGUE CAST-IRON RADIATORS





Our company dates back to 1888 and our foundry experience together with modern technologies provides the guarantee of a through processing, reliability, high quality warranty and lifetime of products of the VIADRUS brand.

Radiator VIADRUS SLAVIA
produced till the 1974



VIADRUS

VIADRUS is a traditional Czech producer of grey cast-iron products, in particular, boilers and radiators. With nearly 1,000 employees and revenue of 2 billion CZK, it is a significant company in the European market of heating products.

Our company dates back to 1888 and our foundry experience together with modern technologies provides the guarantee of a through processing, reliability, high quality warranty and lifetime of products of the VIADRUS brand.

Our production is EN ISO 9001 and ISO 14001 compliant.

The cast iron solid fuel boilers, gas and oil boilers with cast-iron heat exchanger and cast-iron radiators are the core products offered by VIADRUS.

VIADRUS is also one of leading manufacturers of cast-iron radiators in a classic, modern and retro design. At the same time, we offer custom made-to-measure manufacturing for a concrete customer.

VIADRUS brand radiators are found in many Czech and international construction sites, for example: Rotterdam City Hall, Prague Castle, Villa Tugendhat, Castle Čechy pod Kosířem, Castle Rychvald, the Kroměříž Brewery, Janáček Academy of Music Arts, the Czech Statistical Office in Brno, the Czech Radio in Brno, etc.

Our cast-iron radiators, compared to classical ones, are characterized mainly by long service life, significant thermal savings and they can also be produced in different color versions.

We believe that the high quality of workmanship, long service life, favourable price and good commercial conditions can be beneficial for you and your company.

Radiator VIADRUS Kalor
7 sections/Output 371 – 1,064 W





Radiator VIADRUS Windsor
10 sections / output 1,016 W

WINDSOR

Cast-iron retro radiators provides heating of stylish interiors in an unique ageless and stylish retro design. Decorative radiators Windsor are ideal solution for historic buildings or retro style buildings while providing almost unlimited service life. They can be coated in almost any RAL scale color or in clear coating.

ADVANTAGES

- ▶ almost unlimited service life
- ▶ standard radiators assembled in our factory with a 20-year warranty
- ▶ ageless and authentic retro design
- ▶ rich decorative relief
- ▶ optional final coating in RAL colours
- ▶ optional industrial look with clear coating
- ▶ floor standing
- ▶ reasonable price and high quality

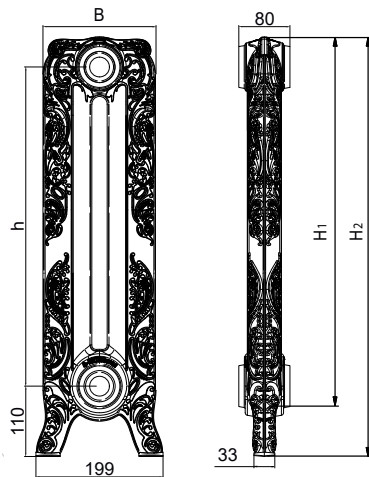


Output: 99–112 W/section

TECHNICAL PARAMETERS OF WINDSOR

| Radiator type | 500/177 w/o leg | 500/177 with leg |
|---|--------------------|---------------------|
| Nipple spacing h [mm] | 500 | 500 |
| Total depth B [mm] | 177 | 177 |
| Total height H _{1,2} [mm] | 600 | 655 |
| Nipple thread | 5/4" | 5/4" |
| Heating output $\Delta t=75/65/20$ °C [W/ks] | 99 | 112 |
| Water volume [l/ks] | 2,10 | 2,20 |

Thermal and technical parameters are verified experimentally in compliance with EN 442-2 for water as heat carrier.



Radiator VIADRUS Windsor
5 sections/output 521 W



Radiator VIADRUS Atena
11 sections / Output 939 W

ATENA

Retro radiators allow heating stylish interior designs giving a unique retro feeling. Radiators Atena are ideally suitable for historic buildings or retro style buildings. They are one of the most successful designs of VIADRUS cast-iron radiators as well.

ADVANTAGES

- ▶ almost unlimited service life
- ▶ standard 10-section radiators assembled in our factory with a 20-year warranty
- ▶ ageless and authentic retro design
- ▶ optional final coating in RAL colours
- ▶ optional industrial look with clear coating
- ▶ floor standing

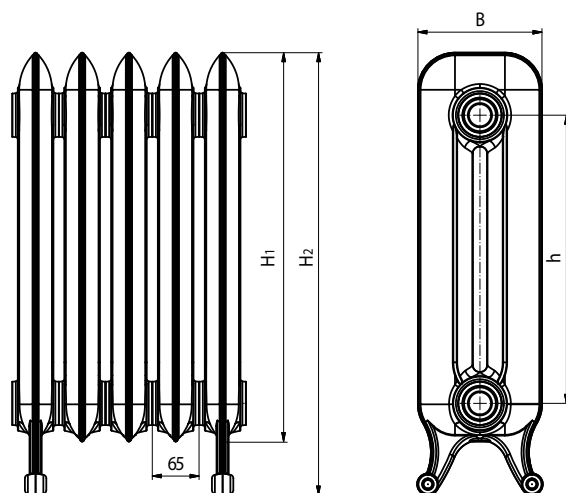


Output: 85 W / section

TECHNICAL PARAMETERS OF ATENA

| Radiator type | 400/170 w/o leg | 400/170 with leg |
|--|--------------------|---------------------|
| Nipple spacing h [mm] | 400 | 400 |
| Total depth B [mm] | 170 | 170 |
| Total height H _{1,2} [mm] | 540 | 615 |
| Nipple thread | 5/4" | 5/4" |
| Heating output $\Delta t=75/65/20$ °C [W/pcs] | 85 | 85 |
| Water volume [l/pcs] | 1.75 | 1.75 |

Thermal and technical parameters are verified experimentally in compliance with EN 442-2 for water as heat carrier.



Radiator VIADRUS Atena
45 sections / Output 3,825 W

BOHEMIA / BOHEMIA R

Retro radiators allow heating stylish interior designs giving a unique retro feeling. Bohemia and Bohemia R have suitable historic designs for traditional buildings. They are excellent for reconstructing heating systems in historic buildings as well.

ADVANTAGES

- ▶ almost unlimited service life
- ▶ standard 10-section radiators assembled in our factory with a 20-year warranty
- ▶ ageless and authentic retro design
- ▶ optional final coating in RAL colours
- ▶ optional industrial look with clear coating
- ▶ floor standing



Radiator VIADRUS Bohemia
11 sections / Output 1,210–1,859 W

Output: 110–169 W/section

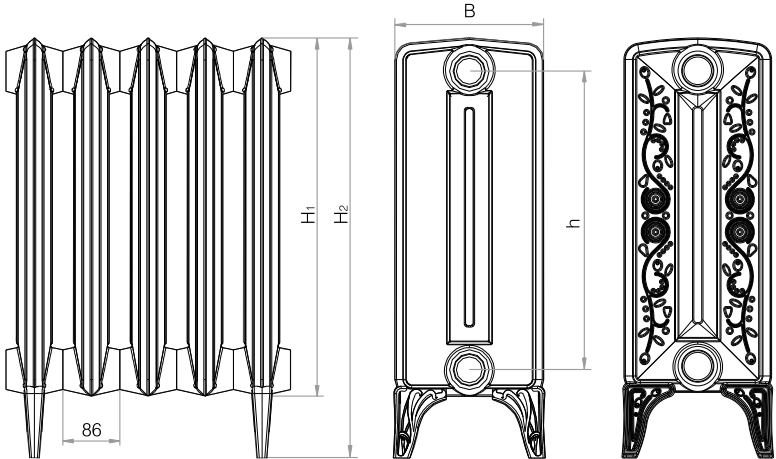
TECHNICAL PARAMETERS OF BOHEMIA

| Radiator type | 450/220 w/o leg | 450/220 with leg | 800/220 w/o leg | 800/220 with leg |
|--|-----------------|------------------|-----------------|------------------|
| Nipple spacing h [mm] | 450 | 450 | 800 | 800 |
| Total depth B [mm] | 225 | 225 | 225 | 225 |
| Total height H _{1,2} [mm] | 540 | 640 | 890 | 990 |
| Nipple thread | 5/4" | 5/4" | 5/4" | 5/4" |
| Heating output Δt=75/65/20 °C [W/pcs] | 110 | 110 | 169 | 169 |
| Water volume [l/pcs] | 2.4 | 2.4 | 4.2 | 4.2 |

Thermal and technical parameters are verified experimentally in compliance with EN 442-2 for water as heat carrier.

TECHNICAL PARAMETERS OF BOHEMIA R

| Radiator type | 450/225 w/o leg | 450/225 with leg | 800/220 w/o leg | 800/220 with leg |
|--|-----------------|------------------|-----------------|------------------|
| Nipple spacing h [mm] | 450 | 450 | 800 | 800 |
| Total depth B [mm] | 225 | 225 | 220 | 220 |
| Total height H _{1,2} [mm] | 540 | 640 | 890 | 990 |
| Nipple thread | 5/4" | 5/4" | 5/4" | 5/4" |
| Heating output Δt=75/65/20 °C [W/pcs] | 113 | 113 | 166.66 | 166.66 |
| Water volume [l/pcs] | 2.4 | 2.4 | 3.9 | 3.9 |



Radiator VIADRUS Bohemia
45 sections / Output 4,950–7,605 W



Villa Tugendhat / Radiators VIADRUS Hellas
23 sections / Output 1,610–2,484 W

HELLAS

The cast-iron radiators Hellas are a suitable solution for historical interiors and industrial premises. They have been in use for many years and have not lost any popularity over time. Their design in retro style is very popular for generations, and it doesn't lose in its popularity even in the present time.

ADVANTAGES

- ▶ almost unlimited service life
- ▶ standard 10-section radiators assembled in our factory with a 20-year warranty
- ▶ ageless and authentic retro design
- ▶ optional final coating in RAL colours
- ▶ optional industrial look with clear coating
- ▶ floor standing

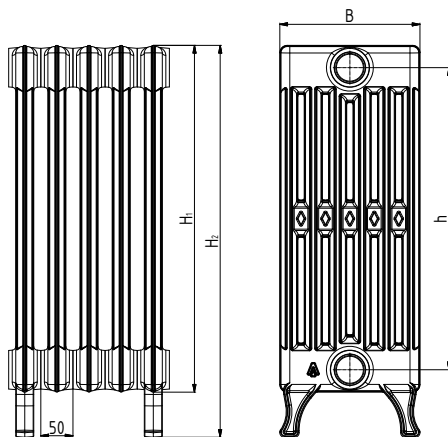


Output: 70–108 W/section

TECHNICAL PARAMETERS OF HELLAS

| Radiator type | 270 w/o leg | 270 with leg | 470 w/o leg | 470 with leg |
|--|----------------|-----------------|----------------|-----------------|
| Nipple spacing h [mm] | 270 | 270 | 470 | 470 |
| Total depth B [mm] | 218 | 218 | 218 | 218 |
| Total height H _{1,2} [mm] | 340 | 410 | 540 | 610 |
| Nipple thread | 5/4" | 5/4" | 5/4" | 5/4" |
| Heating output $\Delta t=75/65/20$ °C [W/pcs] | 70 | 70 | 108 | 108 |
| Water volume [l/pcs] | 0.85 | 0.85 | 1.16 | 1.16 |

Thermal and technical parameters are verified experimentally in compliance with EN 442-2 for water as heat carrier.



Villa Tugendhat / Radiator VIADRUS Hellas
27 sections / Output 1,890–2,916 W

STYL

Traditional materials and modern design meet in Styl radiators. Styl radiators feature a water connection under the radiators and can feature an integrated thermostatic valve. They are very easy to clean, so are suitable for the places where environmental hygiene is necessary.

ADVANTAGES

- ▶ almost unlimited service life
- ▶ standard 10-section radiators assembled in our factory with a 20-year warranty and factory-assembled
- ▶ attractive design with a classic touch
- ▶ easy to clean and hygienic operation
- ▶ bottom connection and integrated valve compatible
- ▶ optional final coating in RAL colours



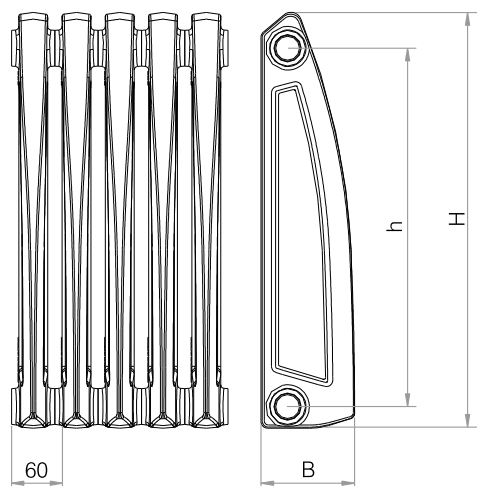
Radiator VIADRUS Styl
5 sections / Output 350 W

Output: 70 W/section

TECHNICAL PARAMETERS OF STYL

| | |
|------------------------------------|---------|
| Radiator type | 500/130 |
| Nipple spacing h [mm] | 500 |
| Total depth B [mm] | 130 |
| Total height H _{1,2} [mm] | 580 |
| Nipple thread | 1" |
| Heating output | 70 |
| $\Delta t=75/65/20$ °C [W/pcs] | |
| Water volume [l/pcs] | 0.8 |

Thermal and technical parameters are verified experimentally in compliance with EN 442-2 for water as heat carrier.



Radiator VIADRUS Styl
25 sections / Output 1,750 W



KALOR

Kalor radiators are the most popular variants of our classic cast-iron heating units. They can easily replace existing radiators or be added in to heating systems. The size, connection spacing and shape are all in traditional measurements. Standard production is in ten-section radiators with white colour finishing. Radiators can be assembled and painted to your exact requirements. Kalor radiators are compatible with integrated thermostatic valve (ITV) with bottom water connection.

ADVANTAGES

- ▶ almost unlimited service life
- ▶ standard batteries with a 20-year guarantee
- ▶ classic design and the side bottom connection and compatible integrated valve
- ▶ easy to clean and hygienic operation
- ▶ variable heating output
- ▶ assembly with final coating in RAL tones upon request
- ▶ possibility of additional output change
- ▶ variable fixations

Output: 53–152 W/section



Radiator VIADRUS Kalor
18 sections/Output 954–2,736 W

KALOR

Radiator VIADRUS Kalor
7 sections / Output 371 – 1,064 W

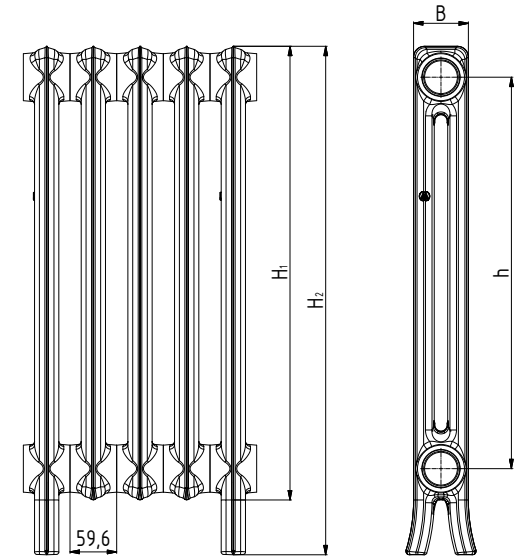
TECHNICAL PARAMETERS OF KALOR

| Radiator type | 350/160 | 500/70 | 500/110 | 500/160 | 500/220 | 600/160 | 900/70 | 900/160 |
|--|---------|--------|---------|---------|---------|---------|--------|---------|
| Nipple spacing h [mm] | 350 | 500 | 500 | 500 | 500 | 600 | 900 | 900 |
| Total depth B [mm] | 160 | 70 | 110 | 160 | 220 | 160 | 70 | 160 |
| Total height $H_{1,2}$ [mm] | 430 | 580 | 580 | 580 | 580 | 680 | 980 | 980 |
| Nipple thread | 5/4" | 5/4" | 5/4" | 5/4" | 5/4" | 5/4" | 5/4" | 5/4" |
| Heating output $\Delta t=75/65/20$ °C [W/pcs] | 70 | 53 | 73 | 94 | 120 | 110 | 89 | 152 |
| Water volume [l/pcs] | 0.8 | 0.5 | 0.8 | 1.1 | 1.3 | 1.2 | 0.8 | 1.5 |

TECHNICAL PARAMETERS OF KALOR WITH LEG

| Radiator type | 350/160 | 500/70 | 500/110 | 500/160 | 500/220 | 600/160 | 900/70 | 900/160 |
|--|---------|--------|---------|---------|---------|---------|--------|---------|
| Nipple spacing h [mm] | 350 | 500 | 500 | 500 | 500 | 600 | 900 | 900 |
| Total depth B [mm] | 160 | 70 | 110 | 160 | 220 | 160 | 70 | 160 |
| Total height $H_{1,2}$ [mm] | 500 | 650 | 650 | 650 | 650 | 750 | 1050 | 1050 |
| Nipple thread | 5/4" | 5/4" | 5/4" | 5/4" | 5/4" | 5/4" | 5/4" | 5/4" |
| Heating output $\Delta t=75/65/20$ °C [W/pcs] | 70 | 53 | 73 | 94 | 120 | 110 | 89 | 152 |
| Water volume [l/pcs] | 0.8 | 0.5 | 0.8 | 1.1 | 1.3 | 1.2 | 0.8 | 1.5 |

Thermal and technical parameters are verified experimentally in compliance with EN 442-2 for water as heat carrier.





KALOR 3

Kalor 3 radiators are based on our series of classic Kalor radiators. These radiators differ only in the front panel surface. They can easily replace existing radiators or be added in to heating systems. The size, connection spacing and shape are all traditional measurements. Standard production is in ten-sections radiators with white colour primer. Radiators can be assembled and painted to your exact requirements. Kalor radiators are compatible with integrated thermostatic valve (ITV) with bottom water connection.

ADVANTAGES

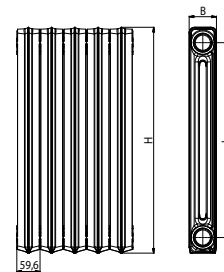
- ▶ almost unlimited service life
- ▶ standard batteries with a 20-year guarantee
- ▶ classic design and the side bottom connection and compatible integrated valve
- ▶ easy to clean and hygienic operation
- ▶ variable heating output
- ▶ assembly with final coating in RAL tones upon request
- ▶ possibility of additional output change
- ▶ variable fixations

Output: 60.8–102.2 W/section

TECHNICAL PARAMETERS OF KALOR 3

| Radiator type | 350/160 | 500/70 | 500/110 | 500/160 | 900/70 |
|--|---------|--------|---------|---------|--------|
| Nipple spacing h [mm] | 350 | 500 | 500 | 500 | 900 |
| Total depth B [mm] | 160 | 70 | 110 | 160 | 70 |
| Total height H [mm] | 430 | 580 | 580 | 580 | 980 |
| Nipple thread | 5/4" | 5/4" | 5/4" | 5/4" | 5/4" |
| Heating output $\Delta t=75/65/20$ °C [W/pcs] | 82.9 | 60.8 | 78.3 | 102.2 | 95.8 |
| Water volume [l/pcs] | 0.8 | 0.5 | 0.8 | 1.1 | 0.8 |

Thermal and technical parameters are verified experimentally in compliance with EN 442-2 for water as heat carrier.



Radiator VIADRUS Kalor 3
15 sections/Output 912–1,533 W

TERMO

Termo radiators are more economical and a visually lighter variant of our classic cast-iron radiators with a flat front panel and a reduced water volume. Termo is compatible with an integrated thermostatic valve (ITV) with bottom water connection. Standard production is in ten-section radiators with white colour primer. Radiators can be assembled and painted to your exact requirements.

ADVANTAGES

- ▶ almost unlimited service life
- ▶ standard batteries with a 20-year guarantee
- ▶ classic design and the side bottom connection and compatible integrated valve
- ▶ easy to clean and hygienic operation
- ▶ variable heating output
- ▶ assembly with final coating in RAL tones upon request
- ▶ possibility of additional output change
- ▶ variable fixations



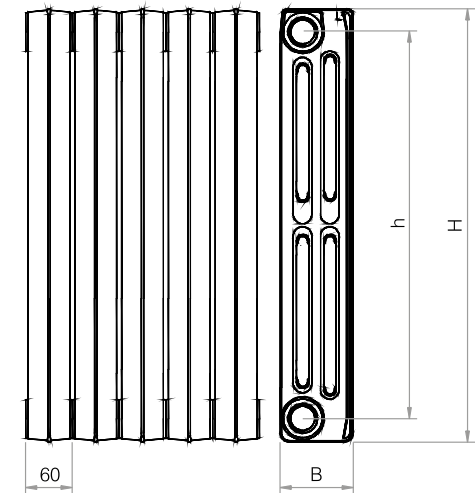
Radiator VIADRUS Termo
10 sections / Output 575 – 1,361 W

Output: 57.5–136.1 W/section

TECHNICAL PARAMETERS OF TERMO

| Radiator type | 350/95 | 500/95 | 500/130 | 623/95 | 623/130 | 813/95 | 813/130 |
|--|--------|--------|---------|--------|---------|--------|---------|
| Nipple spacing h [mm] | 350 | 500 | 500 | 623 | 623 | 813 | 813 |
| Total depth B [mm] | 94 | 95 | 130 | 95 | 130 | 95 | 130 |
| Total height H [mm] | 400 | 560 | 560 | 683 | 683 | 873 | 873 |
| Nipple thread | 1" | 1" | 1" | 1" | 1" | 1" | 1" |
| Heating output $\Delta t=75/65/20$ °C [W/pcs] | 57.5 | 73.4 | 91 | 88.7 | 108.8 | 109.3 | 136.1 |
| Water volume [l/pcs] | 0.42 | 0.6 | 0.8 | 0.8 | 1 | 1 | 1.3 |

Thermal and technical parameters are verified experimentally in compliance with EN 442-2 for water as heat carrier.



Radiator VIADRUS Termo
25 sections/Output 1,437–3,402.5 W



Radiator VIADRUS Bohemia
6 sections / Output 660–1,014 W

Surface treatment NATUR

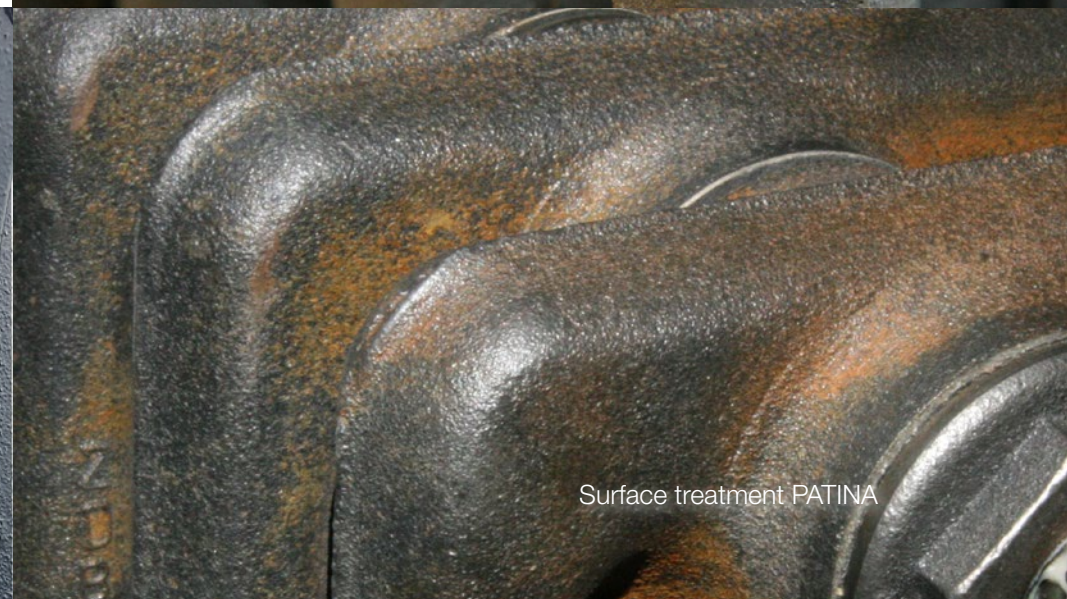
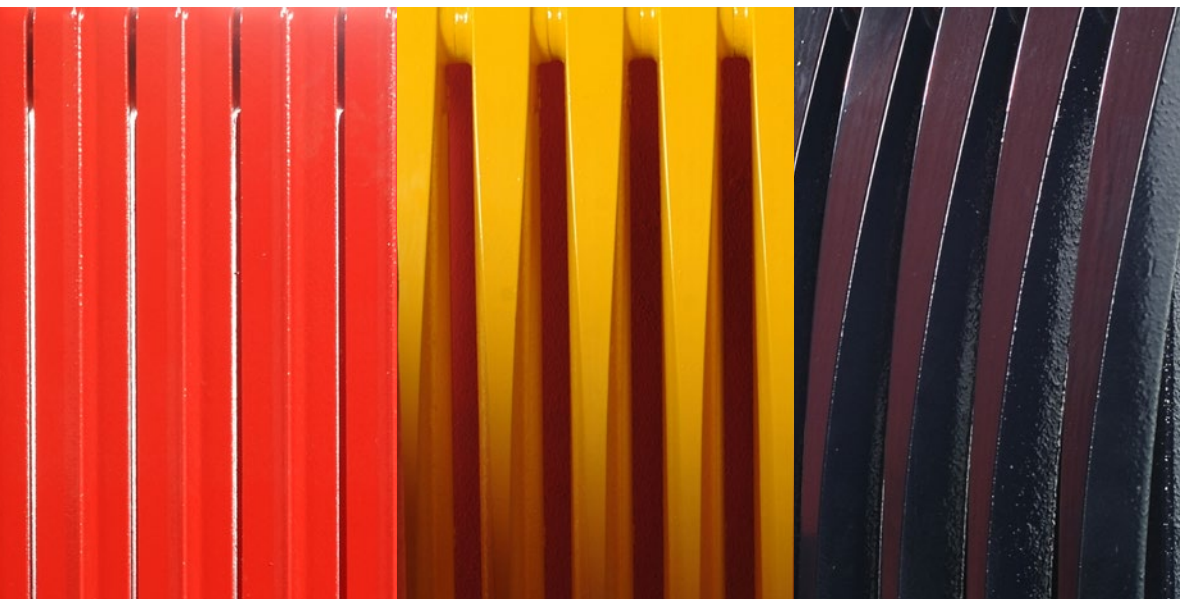
PREMIUM SURFACE TREATMENT

A new style of treatment of radiator bodies of the iron-cast radiators returns to the original appearance of castings. Functional minimalistic modifications enforce the appearance, which perfectly suit for both modern interiors and historical objects. A classic and original shape of the cast-iron radiators with a natural surface treatment allows architects and designers to use them not only as functional elements, but will also allow to work with a product even as an esthetical element, and will allow to create final character and individuality of an interior.

Surface treatment is at disposal in two versions – Natur and Patina. It is possible to apply it on the entire production series of the VIADRUS cast-iron radiators, and it increases their variability of using. Treatment quality, using of non-toxic materials, long service life and classical features of the cast-iron bodies connect together and create by this one new, unconventional, fully functional design element.

The cast-iron radiators are supplied in assembled state depending on required number of sections (i.e. on required output). It is possible to select a degree of dullness of the surface. In case of surface Patina, a precise shade cannot be guaranteed, and each radiator is actually an original.

In case of your interest in other radiators' color design, we are able to supply the radiators according to the RAL colors palette.



Surface treatment PATINA



CUSTOMIZED MANUFACTURE OF RADIATORS

VIADRUS export radiators to countries all over the world. Different countries prefer different styles. In case of larger volumes, VIADRUS can produce customized radiators, i.e. other types, shapes or reliefs can be offered. Samples of some prototypes can be seen in our photo gallery.

VIADRUS can add relief color decoration individually on cast iron radiators. New castings or new decoration are subject to minimum order quantities.



ACCESSORIES FOR RADIATORS

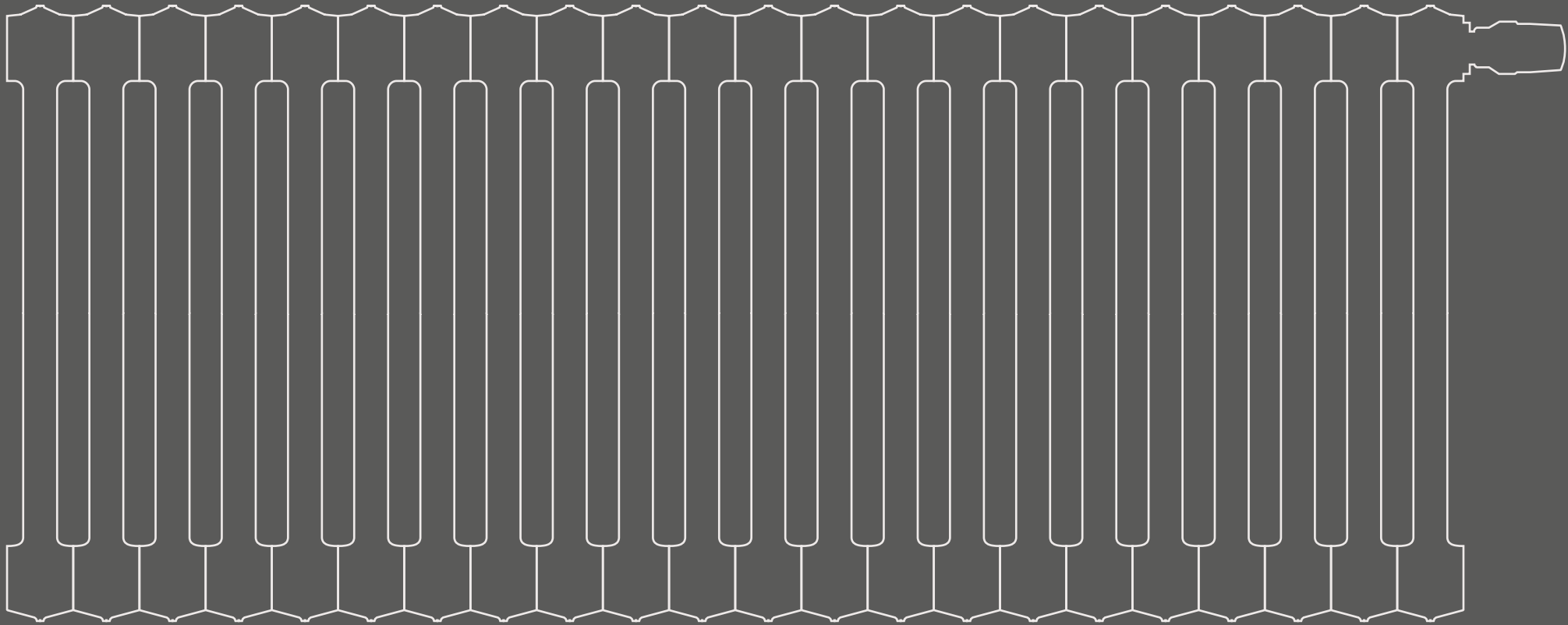
VIADRUS has in its assortment both integral thermostatic ITV valve and retro valves in classic or original designs.



City Hall of Rotterdam / VIADRUS Bohemia
15 sections / Output 1,650–2,535 W



Radiator VIADRUS Kalor
24 sections / Output 1,272–3,648 W



VIADRUS

VIADRUS a.s.

Bezručova 300
735 81 Bohumín
Czech Republic

info@viadrus.cz
www.viadrus.co.uk

VIADRUS a.s. reserves the right to change the catalogue; the introduced photos of VIADRUS products have only informative character.
It means that it is not a public offer according to the Civil Code.