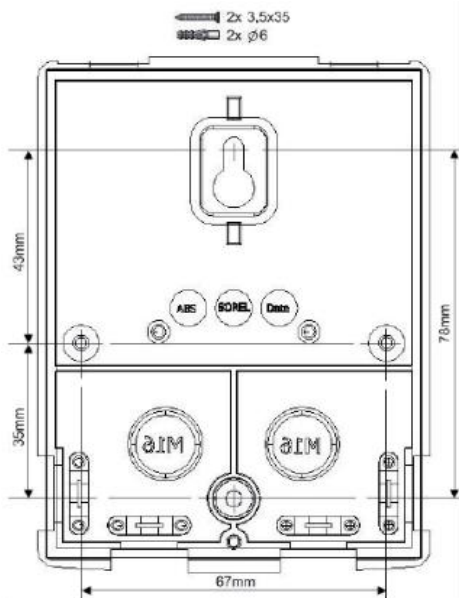


Solar controller STDC E



Installation dimensions



Main Features	
Application	control of solar thermal and heating syst.
Purpose	The Controller controls 2 outputs (1 mech. relay and 1 optional either 0-1V or PWM) and features 3 inputs for Pt 1000 temper. sensors
Code	13164

Electric Data	
Power voltage	230 V ~ ±10%
Power frequency	50 - 60 Hz
Power input	cca 1.5 VA
Internal fuse	2 A/250 V, slow-blow
IP rating	IP40
El. protection class	II
Overvoltage category	II by EN 60664-1
Pollution degree	II by EN 60664-1

Inputs & Outputs	
Mechanical relay	460 VA for AC1/460 W for AC3
0-10 V	load 10 kΩ, tolerance 10%
PWM	voltage 10 V, frequency 1 kHz
Pt1000	temperature range -40 to 300 °C

Number of inputs and outputs	
Mechanical relay	1 x (R1)
0 -10 V or PWM	1 x (V1)
Pt1000	3 x (S1 to S3)

Pt1000 Sensors (included in supply)	
Number	2
Cable length	2 m
Insulation material	silicone

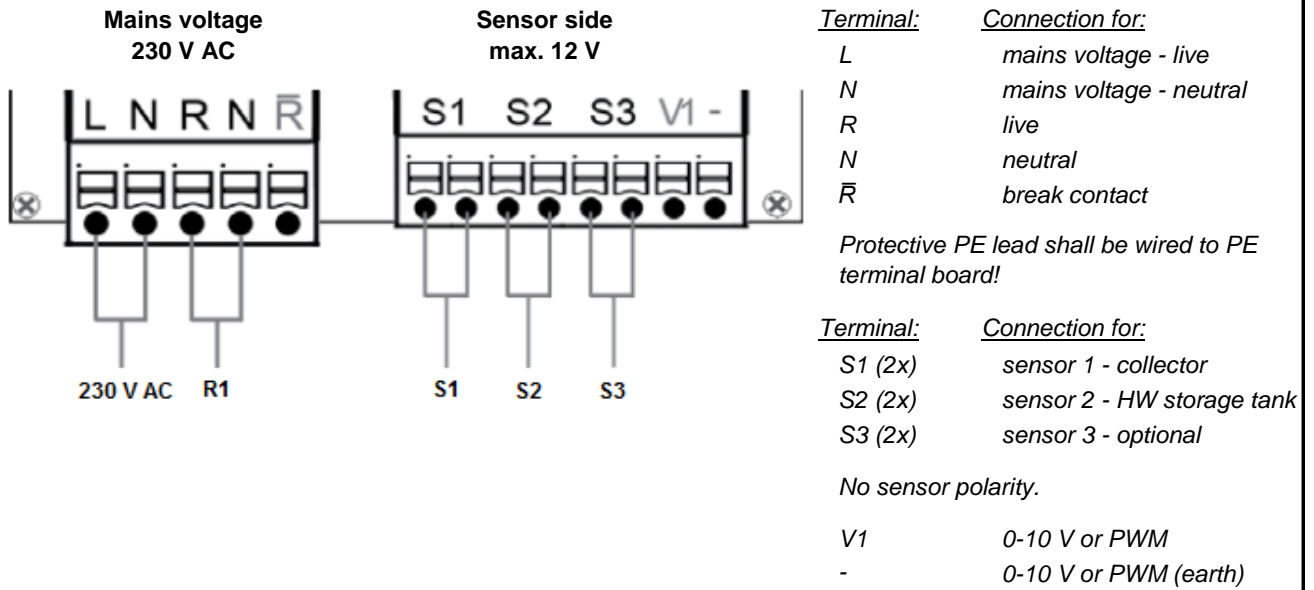
Permissible cable lengths for sensors and outputs	
Mechanical relay	< 10 m
0-10 V/PWM	< 3 m
Pt1000 (outdoor sensors)	< 30 m
Pt 1000 (other sensors)	< 10 m

Permissible Ambient Conditions	
Operating temperature	0 to 40 °C
Storage temperature	0 to 60 °C
Air humidity	max. 85% at 25 °C
Storage air humidity	no condensation permitted

Other Data	
Housing material	ABS (two-part)
Installation	wall mount
Overall dimensions	115 x 86 x 45 mm
Display	fully graphic, 128 x 64 px
Preset hydr. variants	9 hydraulic variants for solar and heating systems
Control	4 keys

Solar controller STDC E

Terminal block wiring diagram



Temperature resistance table for Pt1000 sensors

°C	0	10	20	30	40	50	60	70	80	90	100
Ω	1000	1039	1077	1116	1155	1194	1232	1270	1308	1347	1385